

SECTION

BF

GI
MA
EM
LC
EC
FE
CL
MT
AT
FA
RA
BR
ST
BF
HA
EL
IDX

CONTENTS

GENERAL SERVICING	3
Precautions.....	3
Supplemental Restraint System "AIR BAG".....	3
Circuit Breaker Inspection.....	3
Clip and Fastener	3
BODY END	6
Body Front End	6
Body Rear End and Opener	8
Trunk Lid Opener/Wiring Diagram — TLID —	10
DOOR	11
Front Door	11
Rear Door	12
INSTRUMENT PANEL	13
INTERIOR AND EXTERIOR	16
Interior	16
Exterior	20
SEAT	25
Front Seat.....	25
Power Seat/Wiring Diagram — SEAT —	26
Heated Seat.....	27
Heated Seat/Wiring Diagram — HSEAT —	28
Rear Seat	29
SEAT BELT	30
Front Seat Belt	30
Rear Seat Belt.....	31
SUN ROOF	32
Wiring Diagram — SROOF —	36
WINDSHIELD AND WINDOWS	37
Windshield and Rear Window	37
MIRROR	38
Door Mirror	38
Wiring Diagram — MIRROR —	39
Wiring Diagram — H/MIRR —	40
BODY ALIGNMENT	41
Engine Compartment.....	41
Underbody	43
SUPPLEMENTAL RESTRAINT SYSTEM (SRS)	45
Precautions for SRS "Air Bag" Service.....	45
Special Service Tools.....	45
Commercial Service Tool	45
Description	46
SRS Component Parts Location and Caution Labels.....	47
Caution Labels	48
Maintenance Items.....	49
Removal and Installation — Diagnosis Sensor Unit.....	50
Removal — Air Bag Module and Spiral Cable	50
Removal — Front Passenger Air Bag Module.....	52
Installation — Air Bag Module and Spiral Cable	53
Installation — Front Passenger Air Bag Module.....	54
Disposal of Air Bag Module	54
TROUBLE DIAGNOSES — Supplemental Restraint System (SRS)	58
Schematic.....	58
Wiring Diagram — SRS —	59
Self-diagnosis.....	61
Diagnostic Procedure 1	66
Diagnostic Procedure 2	66
Diagnostic Procedure 3	67
Collision Diagnosis	68

CONTENTS (Cont'd.)

When you read wiring diagrams:

- Read GI section, "HOW TO READ WIRING DIAGRAMS".
- See EL section, "POWER SUPPLY ROUTING" for power distribution circuit.

When you perform trouble diagnoses, read GI section, "HOW TO FOLLOW FLOW CHART IN TROUBLE DIAGNOSES" and "HOW TO PERFORM EFFICIENT DIAGNOSIS FOR AN ELECTRICAL INCIDENT".

WIRING DIAGRAM REFERENCE CHART

POWER WINDOW — IVMS	EL SECTION
POWER DOOR LOCK — IVMS	EL SECTION
MULTI-REMOTE CONTROL SYSTEM — IVMS	EL SECTION

Precautions

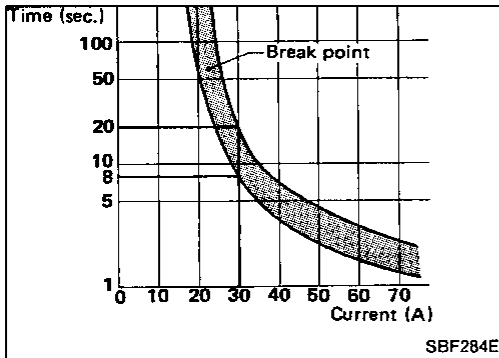
- When removing or installing various parts, place a cloth or padding onto the vehicle body to prevent scratches.
- Handle trim, molding, instruments, grille, etc. carefully during removing or installing. Be careful not to soil or damage them.
- Apply sealing compound where necessary when installing parts.
- When applying sealing compound, be careful that the sealing compound does not protrude from parts.
- When replacing any metal parts (for example body outer panel, members, etc.), be sure to take rust prevention measures.

Supplemental Restraint System "AIR BAG"

The Supplemental Restraint System "Air Bag", used along with a seat belt, helps to reduce the risk or severity of injury to the driver and front passenger in a frontal collision. The Supplemental Restraint System consists of air bag modules (located in the center of the steering wheel and on the instrument panel on the passenger side), a diagnosis sensor unit, warning lamp, wiring harness and spiral cable. Information necessary to service the system safely is included in the **BF** section of this Service Manual.

WARNING:

- To avoid rendering the SRS inoperative, which could increase the risk of personal injury or death in the event of a collision which would result in air bag inflation, all maintenance must be performed by an authorized NISSAN dealer.
- Improper maintenance, including incorrect removal and installation of the SRS, can lead to personal injury caused by unintentional activation of the system.
- All SRS electrical wiring harnesses and connectors are covered with yellow outer insulation. Do not use electrical test equipment on any circuit related to the SRS "Air Bag".



Circuit Breaker Inspection

For example, when current is 30A, the circuit is broken within 8 to 20 seconds.

Circuit breakers are used in the following systems.

- Trunk lid opener
- Power window & power door lock
- Power seat
- Power sun roof


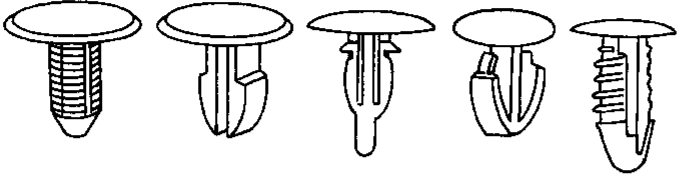
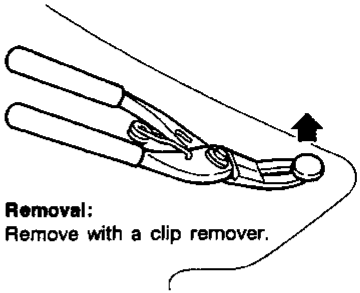

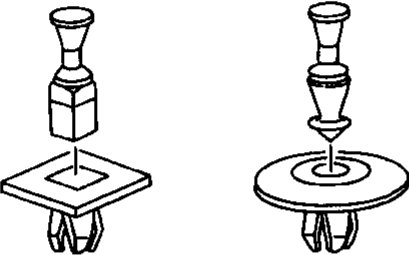
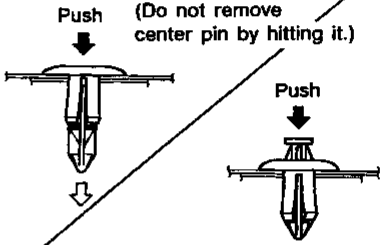

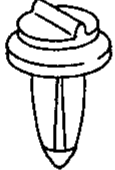
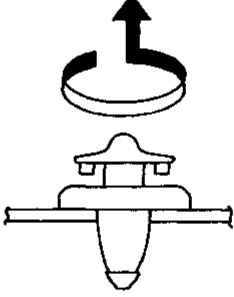

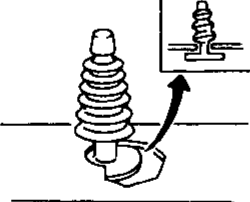
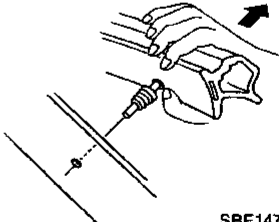

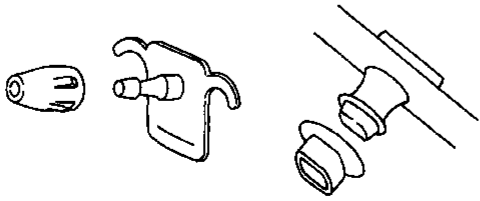
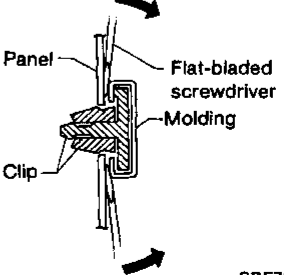
Clip and Fastener

- Clips and fasteners in BF section correspond to the following numbers and symbols.
- Replace any clips and/or fasteners which are damaged during removal or installation.

Symbol No.	Shapes	Removal & Installation
<p style="font-size: small;">C101</p>		<p>Removal: Remove by bending up with flat-bladed screwdrivers or clip remover.</p>
	SBF302H	SBF367BA


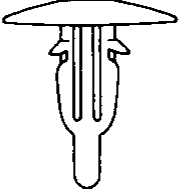
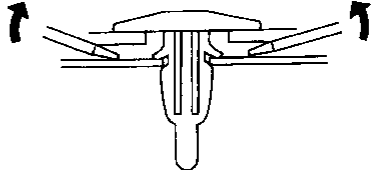

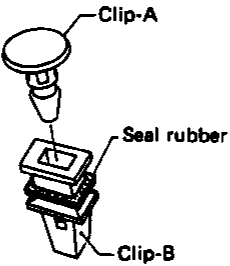
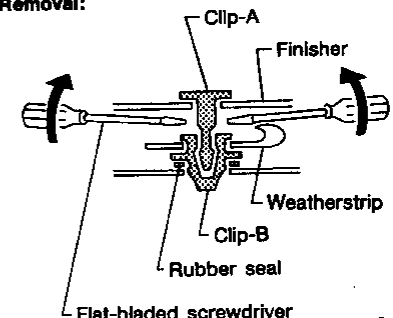

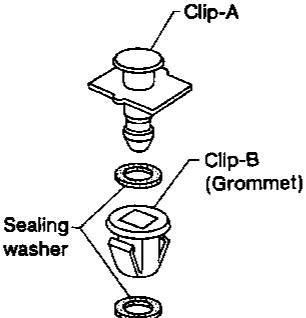
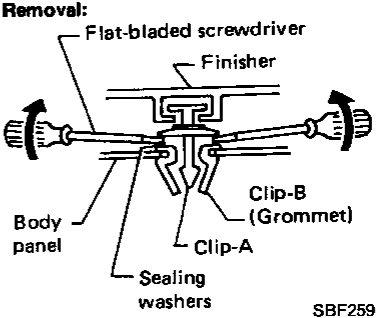

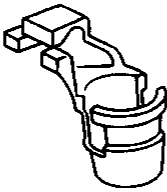
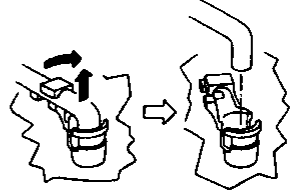

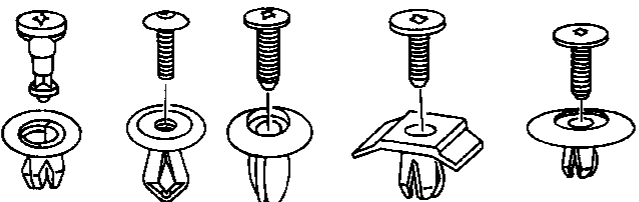
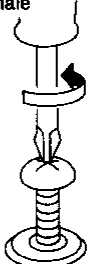
GENERAL SERVICING

Clip and Fastener (Cont'd)

Symbol No.	Shapes	Removal & Installation
	 <p style="text-align: right;">SBF303H</p>	 <p>Removal: Remove with a clip remover.</p> <p style="text-align: right;">SBF423H</p>
	 <p style="text-align: right;">SBF258G</p>	<p>Push center pin to catching position. (Do not remove center pin by hitting it.)</p>  <p>Installation:</p> <p style="text-align: right;">SBF708E</p>
	 <p style="text-align: right;">MBF519B</p>	 <p style="text-align: right;">MBF520B</p>
	 <p style="text-align: right;">SBF104B</p>	<p>Removal:</p>  <p style="text-align: right;">SBF147B</p>
	 <p style="text-align: right;">SBF411H</p>	<p>Removal:</p>  <p>Panel Flat-bladed screwdriver Molding Clip</p> <p style="text-align: right;">SBF767B</p>

GENERAL SERVICING

Clip and Fastener (Cont'd)

Symbol No.	Shapes	Removal & Installation
		<p>Removal: Remove by bending up with a flat-bladed screwdriver or pliers.</p> 
		<p>Removal:</p> 
		<p>Removal:</p> 
		<p>Removal: Holder portion of clip must be spread out to remove rod.</p> 
		<p>Removal:</p> <ol style="list-style-type: none"> Screw out with a Phillips screwdriver. Remove female portion with flat-bladed screwdriver. 

GI
 MA
 EM
 LC
 EC
 FE
 CL
 MT
 AT
 FA
 RA
 BR
 ST
BF
 HA
 EL
 IX

BODY END

Body Front End

- When removing or installing hood, place a cloth or other padding on hood. This prevents vehicle body from being scratched.
- Bumper fascia is made of plastic. Do not use excessive force and be sure to keep oil away from it.
- Hood adjustment: Adjust at hinge portion.
- Hood lock adjustment: After adjusting, check hood lock control operation. Apply a coat of grease to hood locks engaging mechanism.
- Hood opener: Do not attempt to bend cable forcibly. Doing so increases effort required to unlock hood.

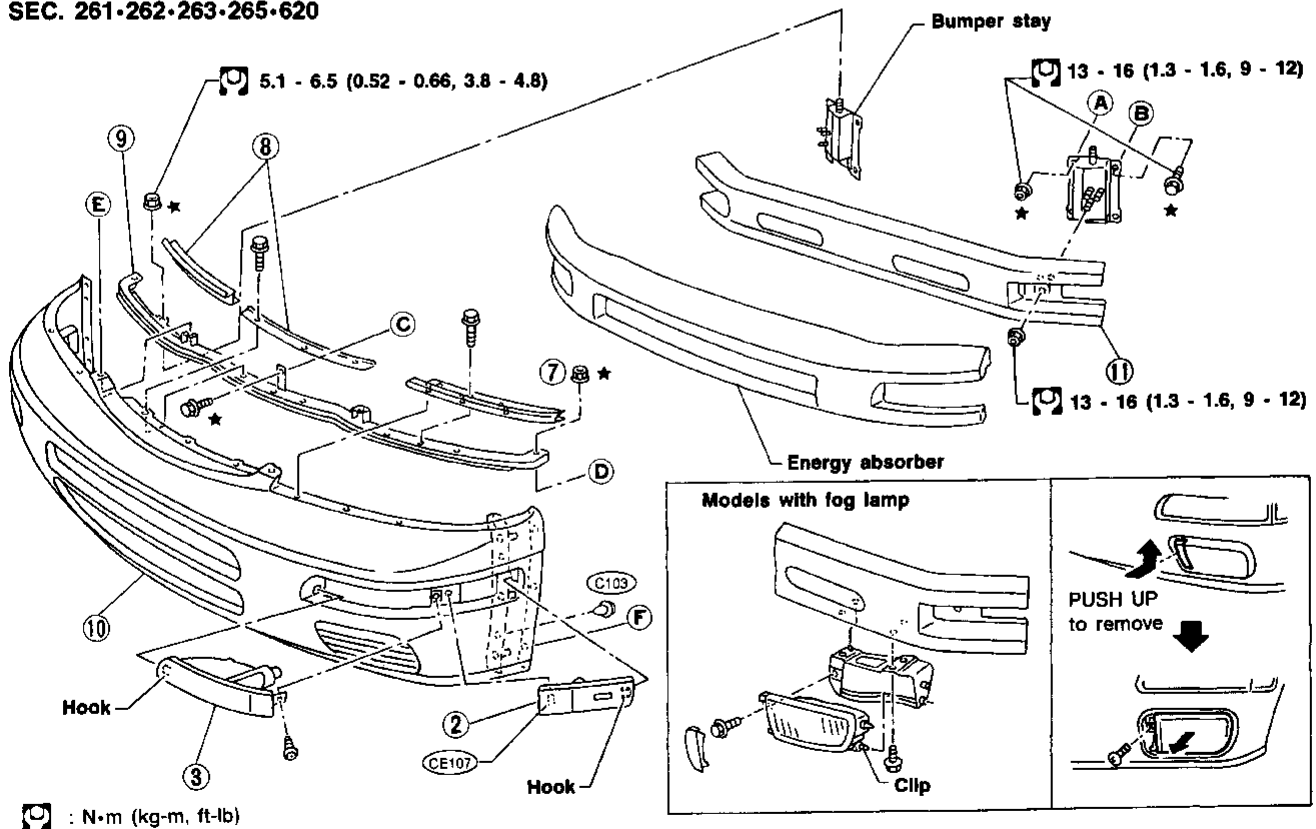
WARNING:

- a. Be careful not to scratch hood stay when installing hood. A scratched stay may cause gas leakage.
- b. The contents of the hood stay are under pressure. Do not take apart, puncture, apply heat or allow fire near it.

REMOVAL — Front bumper assembly

- ① Remove the six bolts securing engine undercover from the front side.
- ② Insert flat-bladed screwdriver between side clearance lamps and turn signal lamps. Then remove side clearance lamps.
- ③ Remove screws securing left and right turn signal lamps and remove the lamps.
- ④ Remove screws securing left and right cornering lamps and remove the lamps.
- ⑤ Remove clips (CS101), bolts and nuts securing headlamps and grille. Then remove left and right headlamps and grille.
- ⑥ Remove three clips and screws located on front side of fender protector at wheel opening.
- ⑦ Remove nuts securing fascia side bracket to fender.
- ⑧ Remove bolts securing fascia center bracket and both bumper side brackets and remove these parts.
- ⑨ Remove bolts from center and both sides securing retainer and remove retainer.
- ⑩ Pull bumper fascia out.
- ⑪ Remove nuts securing bumper reinforcement and remove the reinforcement.

SEC. 261-262-263-265-620



SBF324H

BODY END

Body Front End (Cont'd)

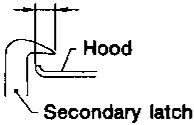
SEC. 260-262

Hood lock adjustment

- Adjust hood so that hood primary lock meshes at a position 1 to 1.5 mm (0.039 to 0.059 in) lower than fender.
- After hood lock adjustment, adjust bumper rubber.
- When securing hood lock, ensure it does not tilt. Striker must be positioned at the center of hood primary lock.
- After adjustment, ensure that hood primary and secondary lock operate properly.

Hood lock secondary latch hooking length

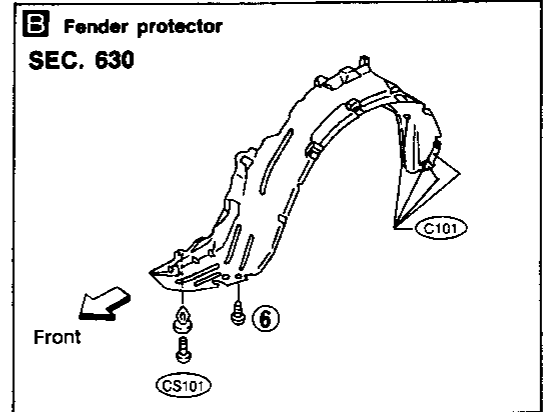
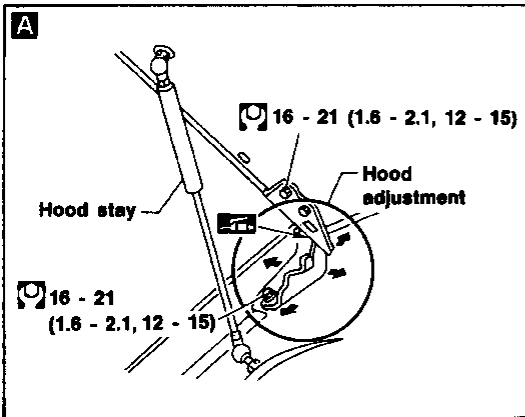
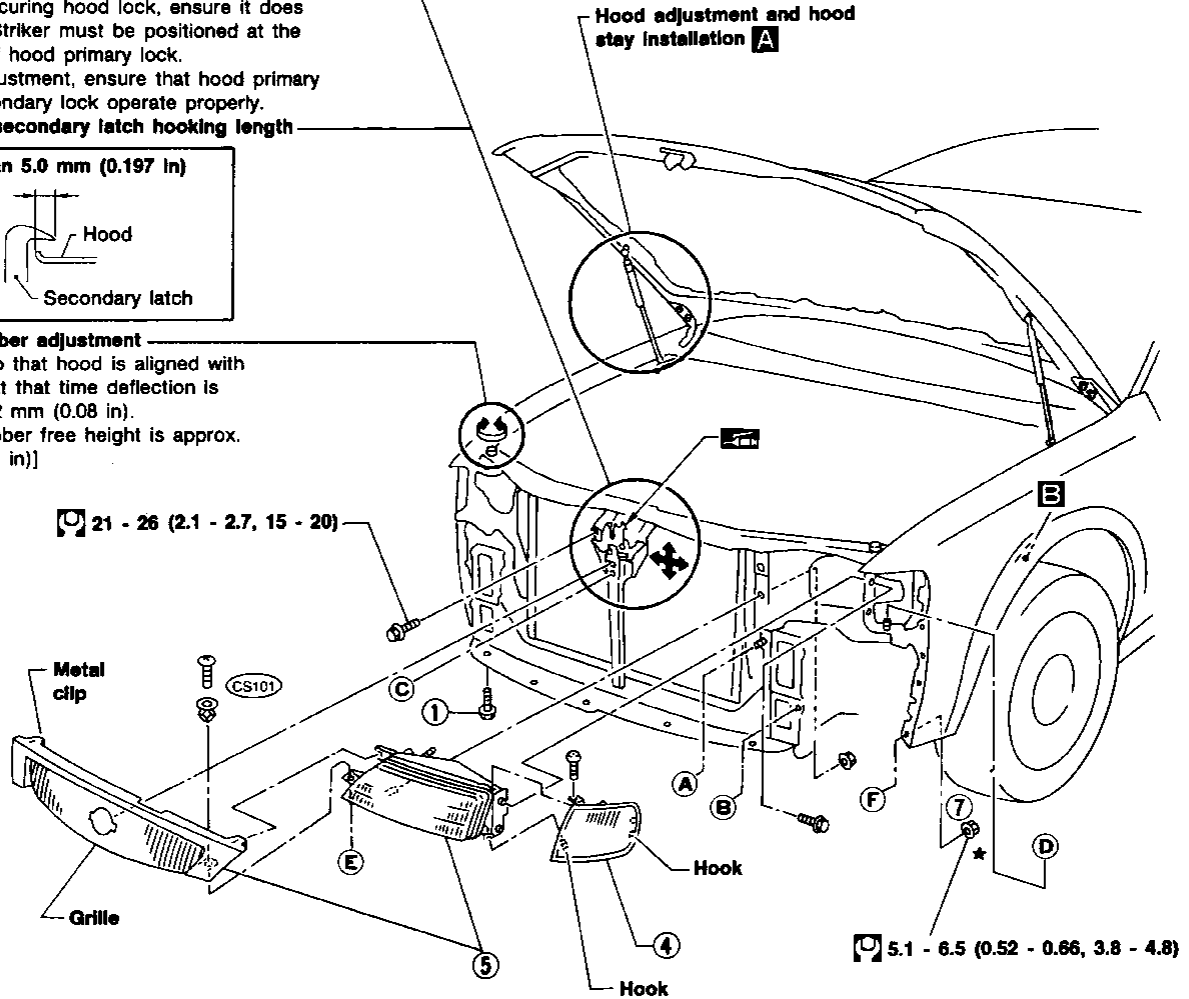
More than 5.0 mm (0.197 in)



Bumper rubber adjustment

- Adjust so that hood is aligned with fender. At that time deflection is approx. 2 mm (0.08 in).

[Bumper rubber free height is approx. 13 mm (0.51 in)]



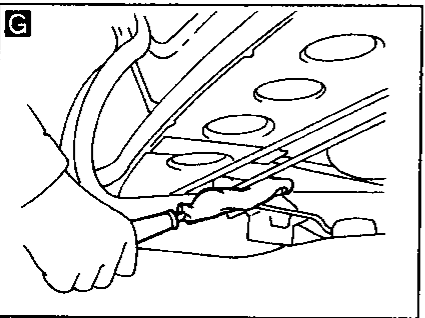
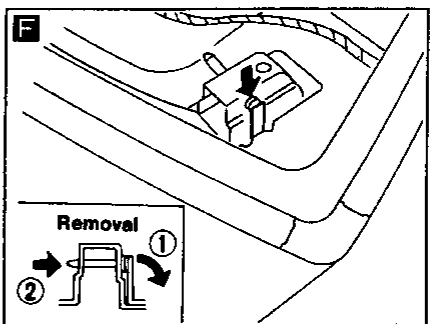
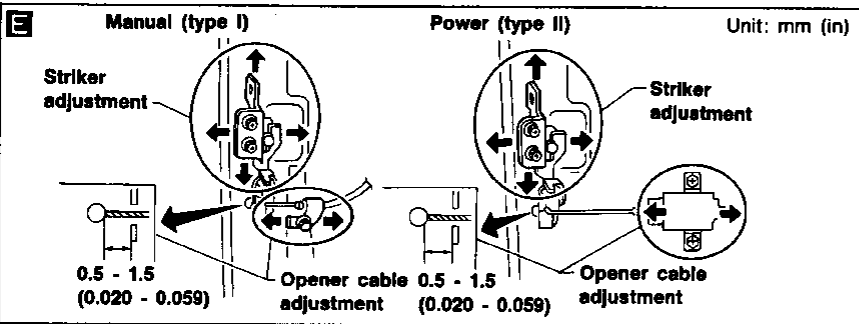
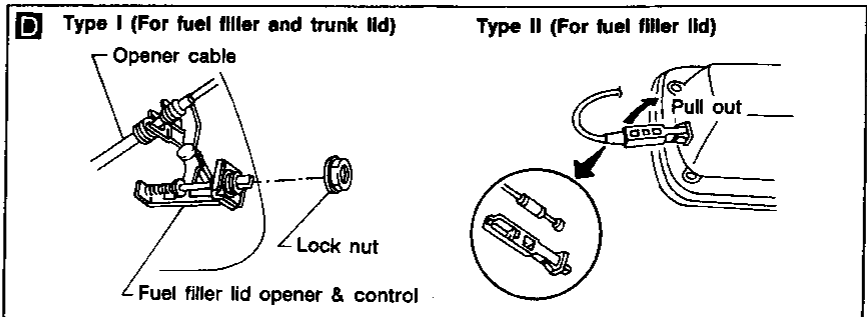
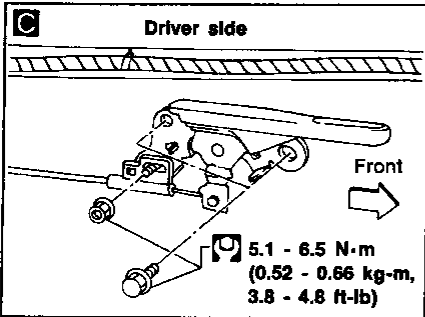
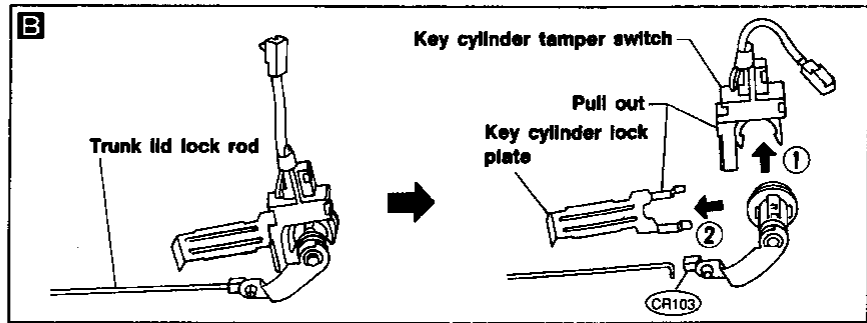
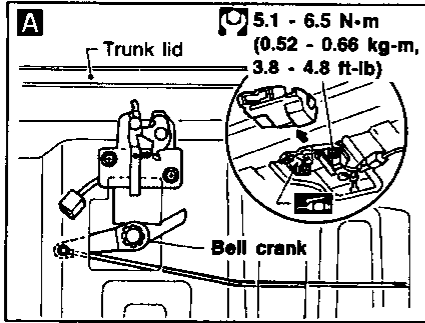
GI
MA
EM
LC
EC
FE
CL
MT
AT
FA
RA
BR
ST

BF
HA
EL
IDX

BODY END

Body Rear End and Opener (Cont'd)

GI
 MA
 EM
 LC
 EC
 FE
 CL
 MT
 AT
 FA
 RA
 BR
 ST
BF
 HA
 EL
 IDX

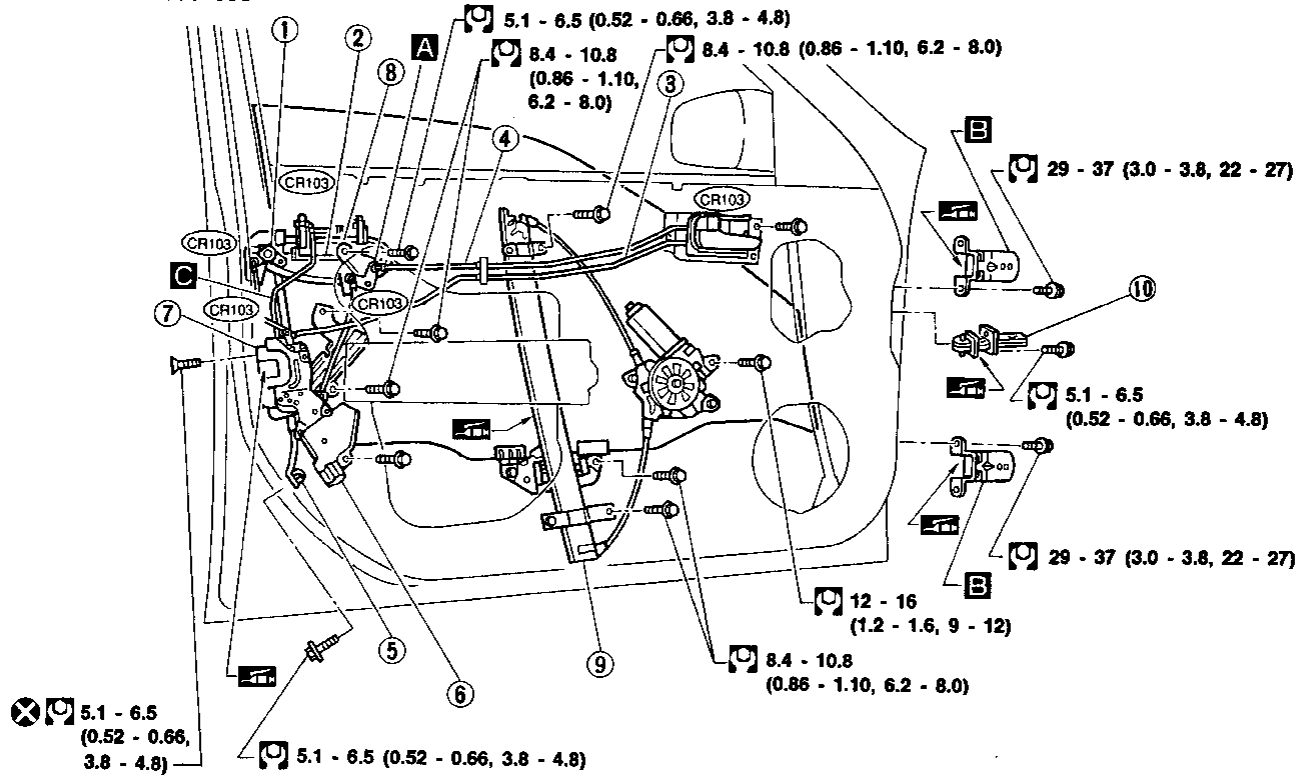


DOOR

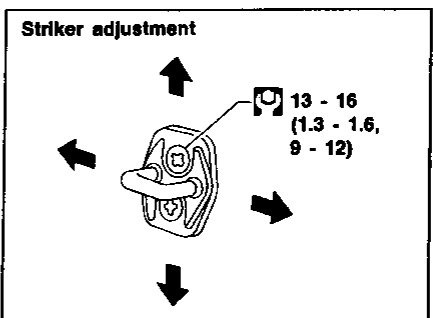
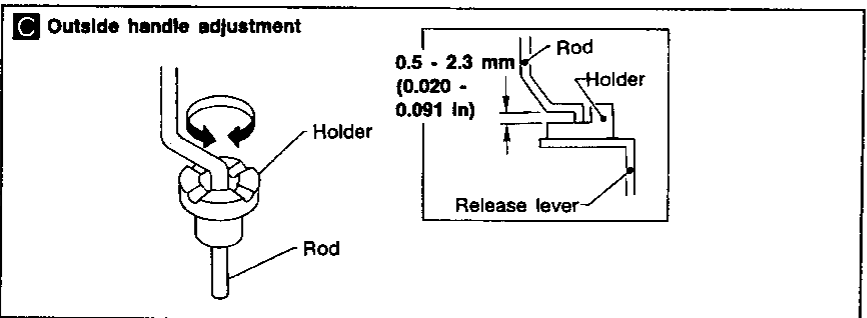
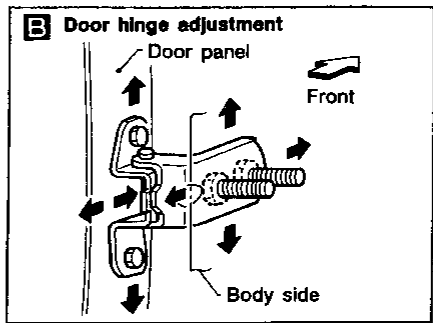
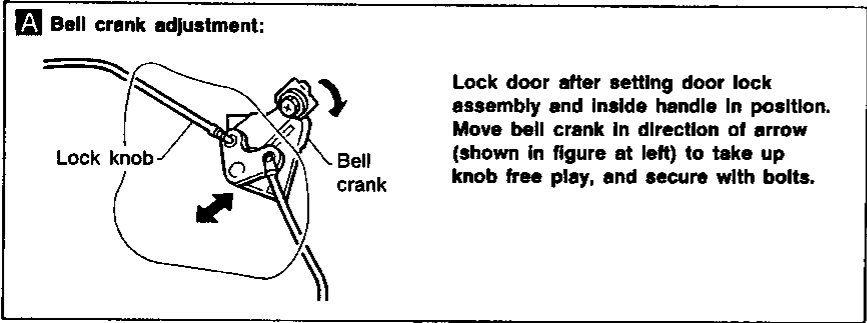
Front Door

- For removal of door trim, refer to "DOOR TRIM" in "INTERIOR" (BF-17).
- After adjusting door or door lock, check door lock operation.

SEC. 800-803-805-998



GI
MA
EM
LC
EC
FE
CL
MT
AT
FA
RA
BR
ST
BF
HA
EL
IDX



: N·m (kg·m, ft·lb)

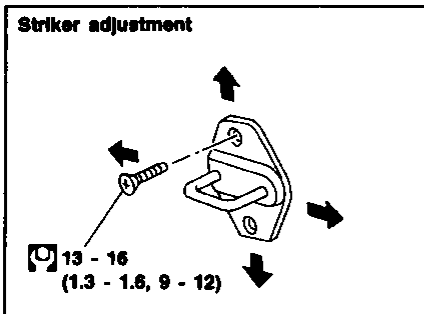
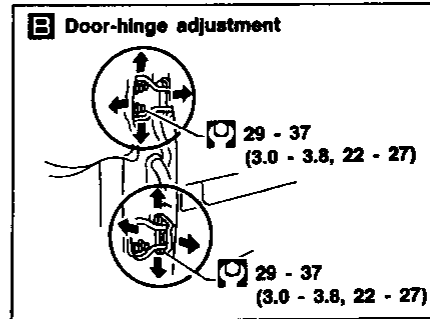
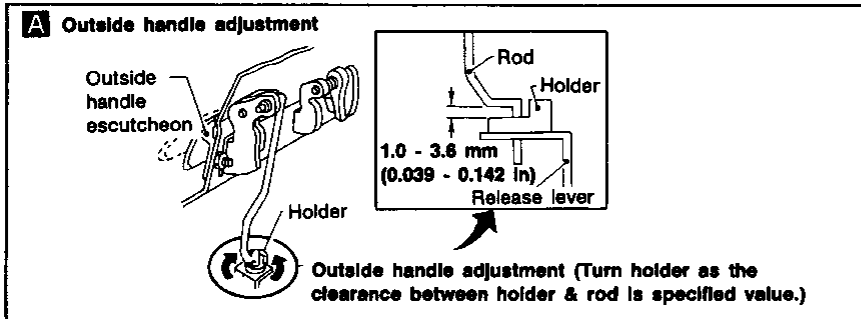
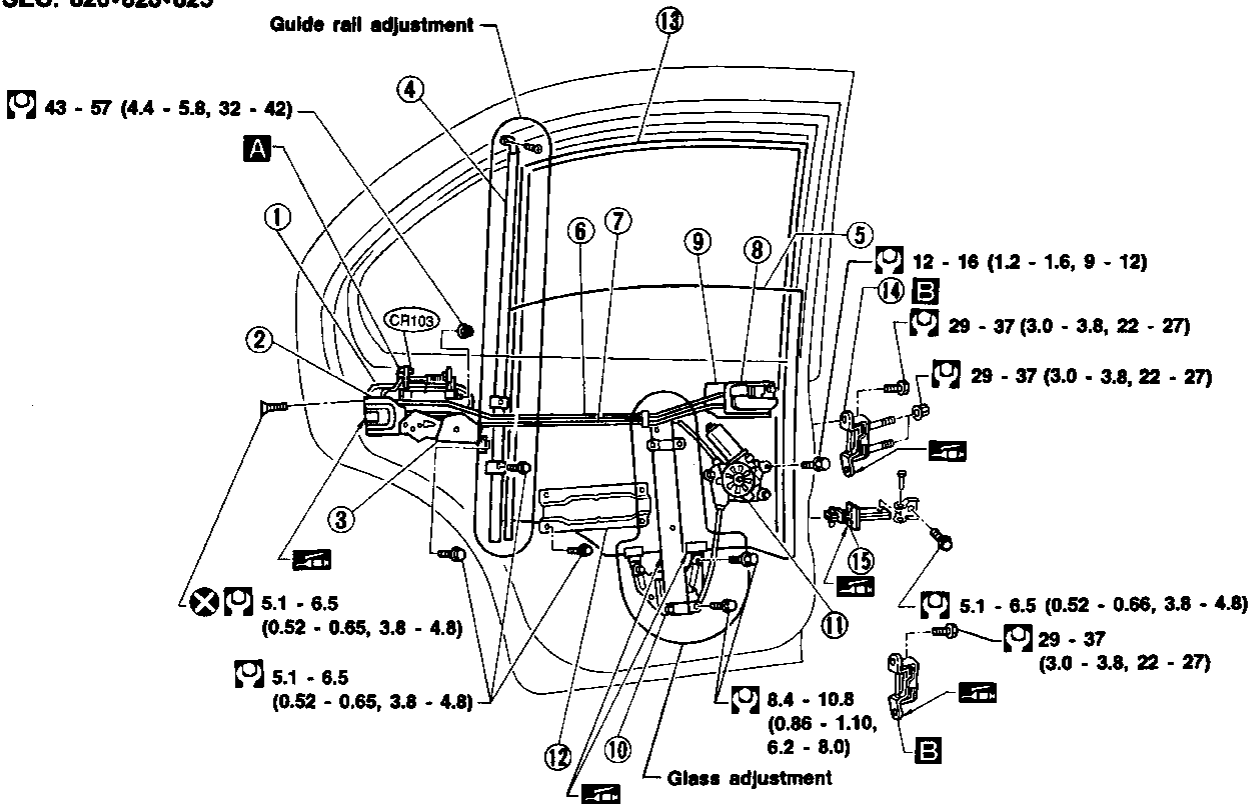
SBF331H

- | | | |
|---------------------|-------------------------|-------------------------|
| ① Key cylinder | ⑤ Guide rail adjustment | ⑧ Bell crank adjustment |
| ② Outside handle | ⑥ Door lock actuator | ⑨ Regulator assembly |
| ③ Inside handle rod | ⑦ Door lock assembly | ⑩ Check link assembly |
| ④ Lock knob rod | | |

DOOR

Rear Door

SEC. 820-823-825



: N·m (kg·m, ft·lb)

- | | | |
|----------------------|-------------------------|-----------------------|
| ① Outside handle | ⑥ Lock knob rod | ⑪ Motor |
| ② Door lock assembly | ⑦ Inside handle rod | ⑫ Inner bracket |
| ③ Door lock actuator | ⑧ Inside handle | ⑬ Glass run rubber |
| ④ Guide channel | ⑨ Inside handle bracket | ⑭ Door hinge |
| ⑤ Glass | ⑩ Regulator assembly | ⑮ Check link assembly |

INSTRUMENT PANEL

CAUTION:

- Disconnect ground terminal from battery in advance.
- Disconnect air bag system line in advance.
- Never tamper with or force air bag lid open, as this may adversely affect air bag performance.
- Be careful not to scratch pad and other parts.

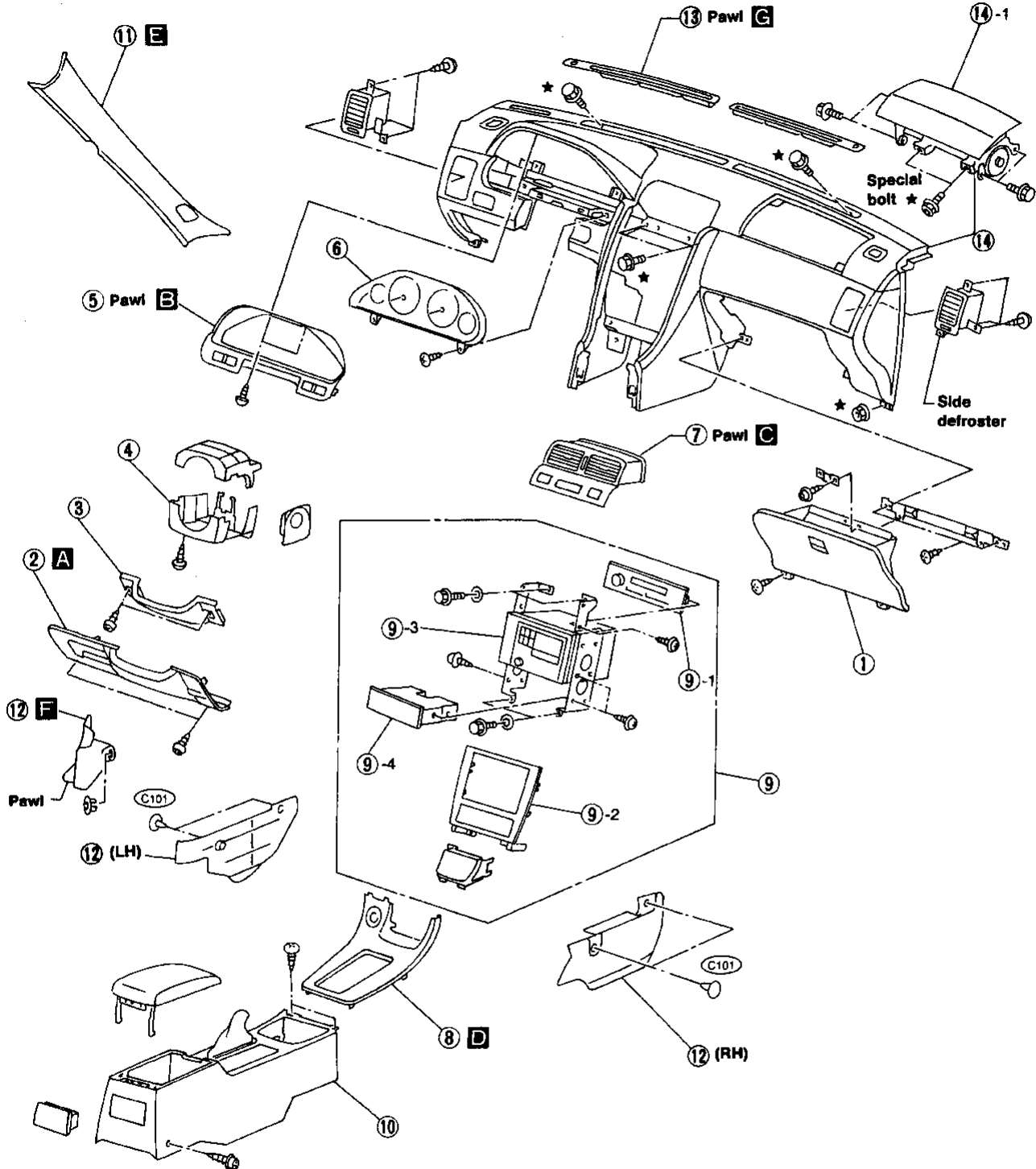
REMOVAL — Instrument panel assembly

Instrument panel assembly	Combination meter	Audio & A/C control	Console box
Remove air bag module (driver) and steering wheel. Refer to BF-50.			
① Glove box assembly <ul style="list-style-type: none"> ● Remove upper four screws and lower two screws. ● Then disconnect passenger air bag module connector. 			
② Instrument lower panel on driver side <ul style="list-style-type: none"> ● Remove two screws. A			
③ Knee protector assembly <ul style="list-style-type: none"> ● Remove two screws. 			
④ Steering column cover & combination switch <ul style="list-style-type: none"> ● Remove four screws. 			
⑤ Cluster lid A <ul style="list-style-type: none"> ● Remove two screws. B			
⑥ Combination meter <ul style="list-style-type: none"> ● Remove two screws then disconnect harness connectors. 			
⑦ Defroster grille with switch panel <ul style="list-style-type: none"> ● Pull out with a miniature flat-bladed screwdriver. C			
⑧ A/T shifter cover plate or M/T shifter cover plate D			
⑨ Audio & A/C control unit assembly <ul style="list-style-type: none"> ● Remove four upper & lower screws from the instrument panel. 			
<div style="border: 1px solid black; padding: 5px; width: fit-content; margin: 0 auto;"> ⑨ -1 A/C or heater control ⑨ -2 Cluster lid C ⑨ -3 Audio ⑨ -4 Ashtray </div>			
⑩ Console box <ul style="list-style-type: none"> ● Remove two screws under the shifter cover plate and also remove rear two screws. 			
⑪ Front pillar garnish E			
⑫ Instrument dash: Lower cover and center lower cover on LH, RH F			
⑬ Defroster grille G			
⑭ Instrument panel assembly <ul style="list-style-type: none"> ● Remove instrument panel by unscrewing bolts & nuts marked with ★. 			
⑮ Passenger air bag module <ul style="list-style-type: none"> ● Remove four bolts. 			

GI
 MA
 EM
 LC
 EC
 FE
 CL
 MT
 AT
 FA
 RA
 BR
 ST
 BF
 HA
 EL
 IDX

INSTRUMENT PANEL

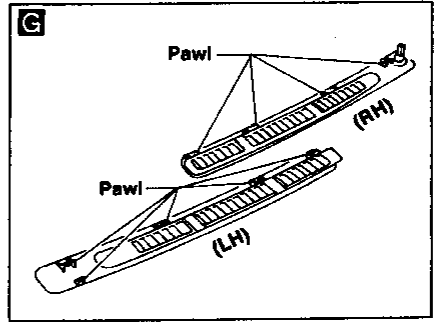
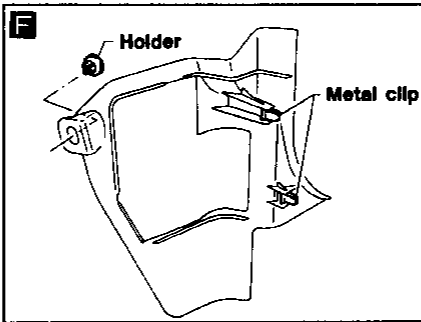
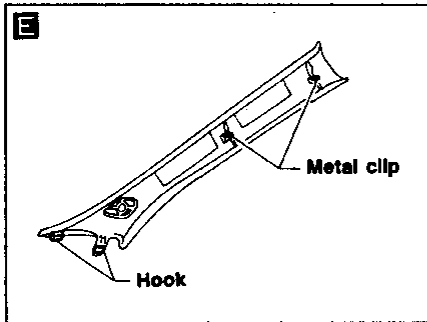
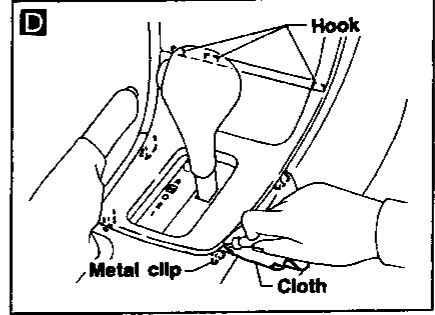
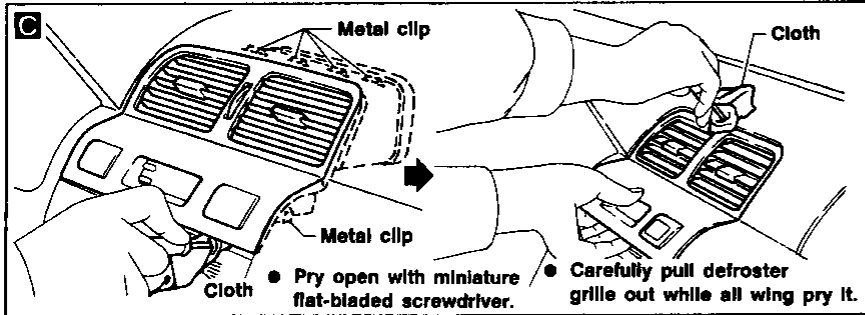
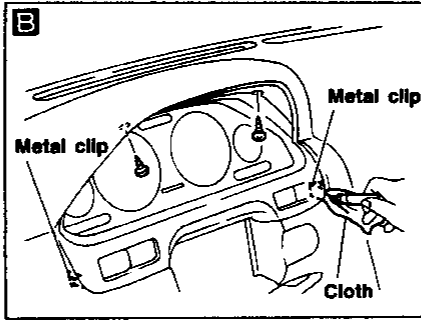
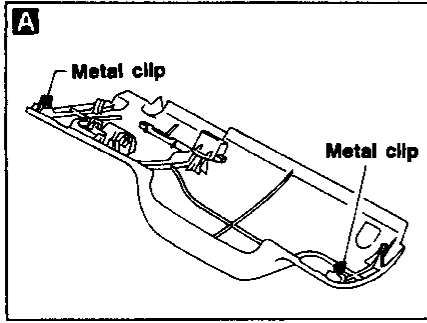
SEC. 248-280-487-680-685-769-969



★: Instrument panel assembly mounting bolts and nuts

SBF333H

INSTRUMENT PANEL



GI
MA
EM
LC
EC
FE
CL
MT
AT
FA
RA
BR
ST
BF
HA
EL
IDX

INTERIOR AND EXTERIOR

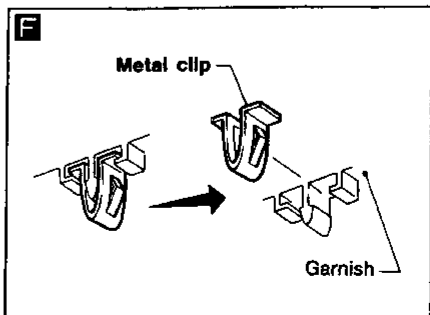
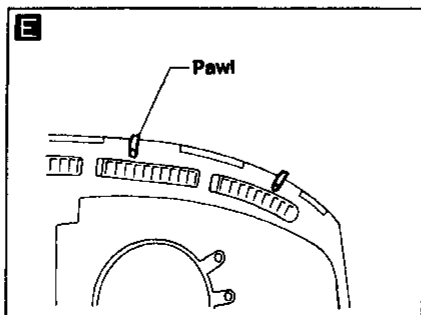
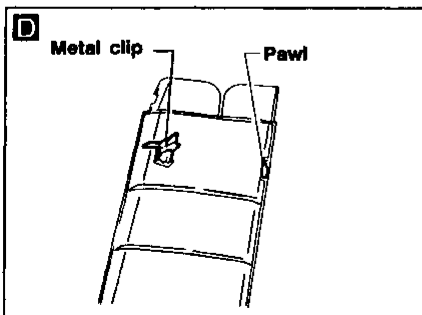
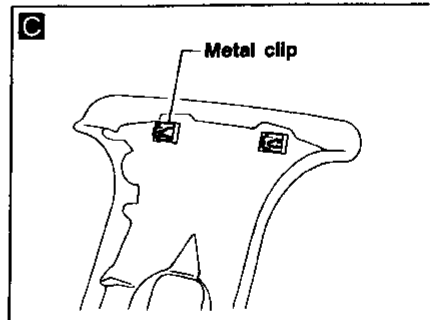
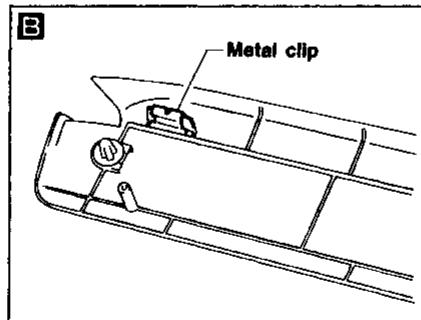
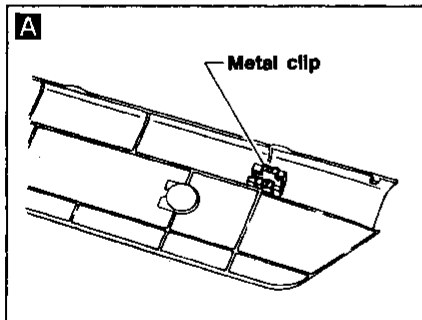
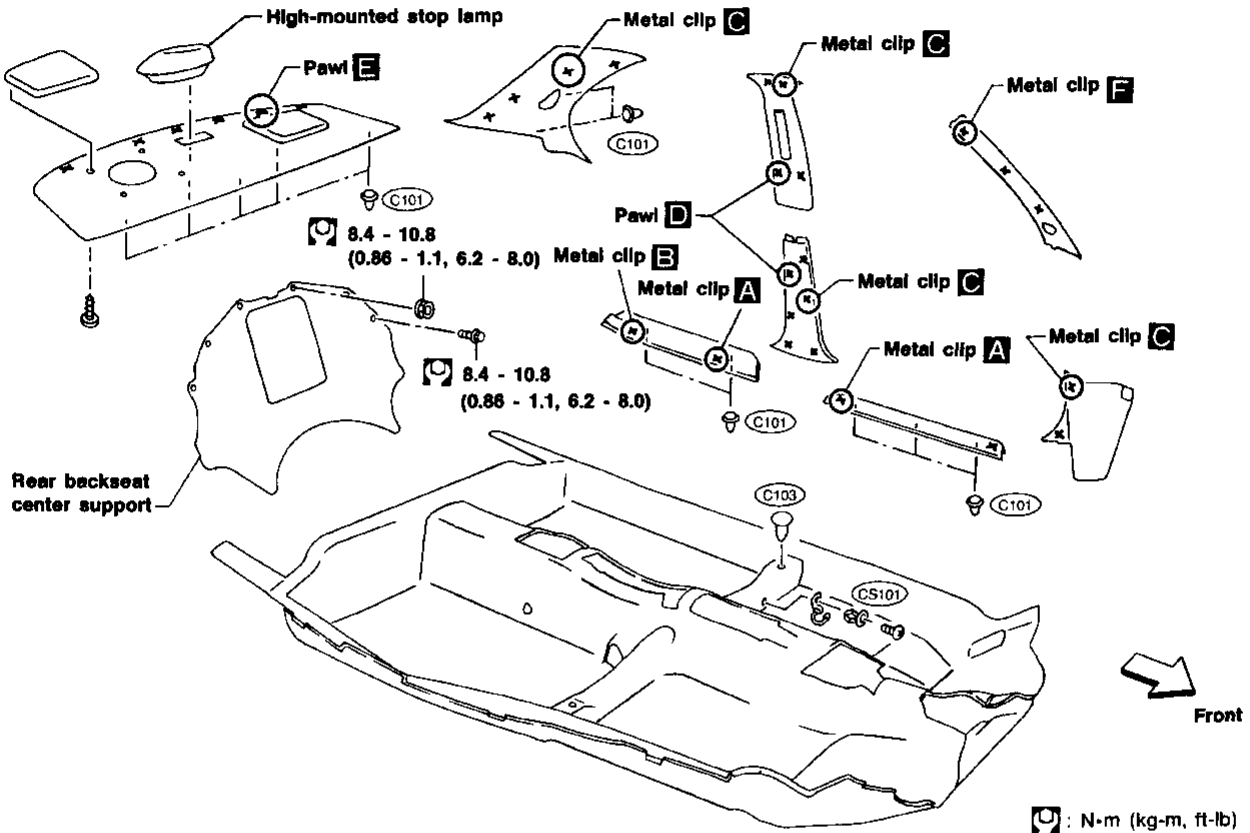
Interior

SIDE AND FLOOR TRIM

CAUTION:

Wrap the tip of flat-bladed screwdriver with a cloth when removing metal clips from garnishes.

SEC. 268-284-678-749-769-799



INTERIOR AND EXTERIOR

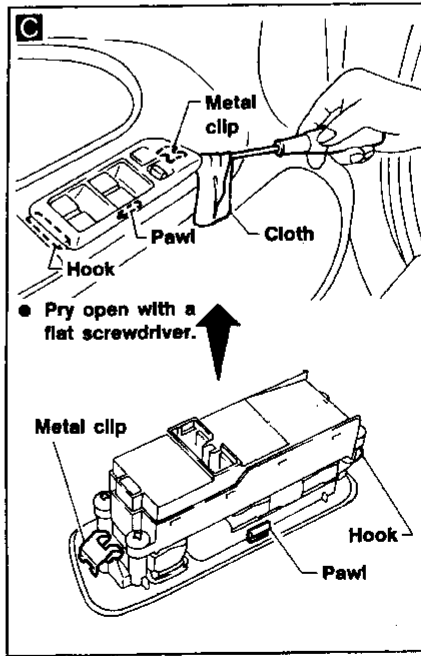
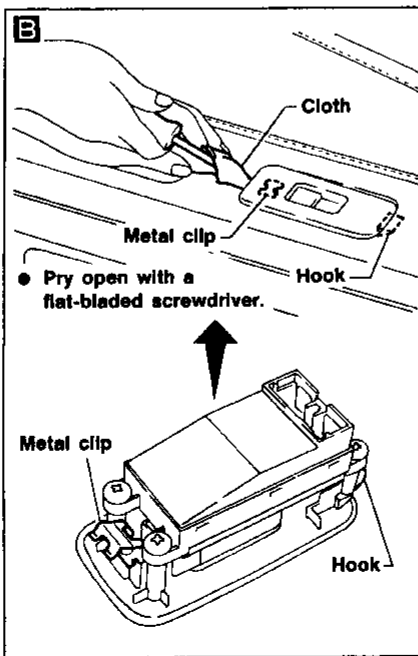
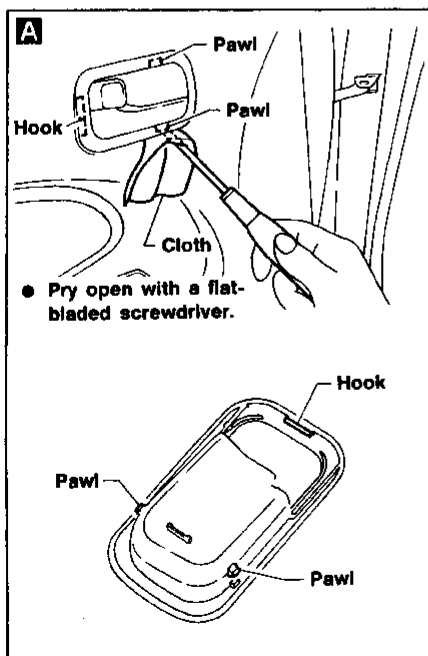
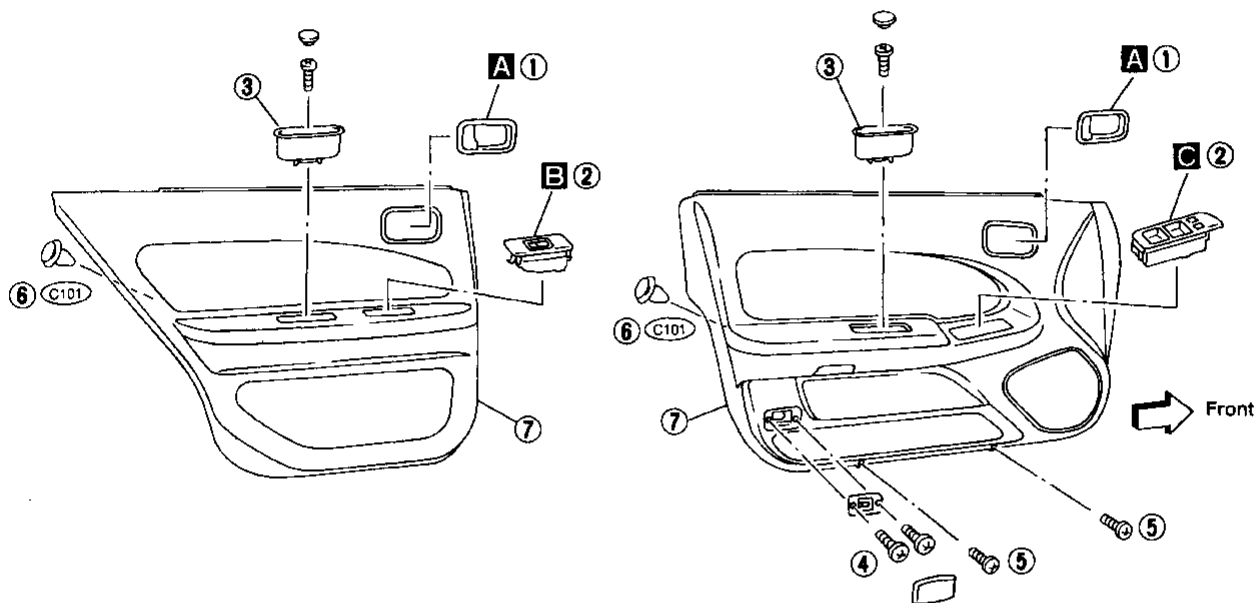
Interior (Cont'd)

DOOR TRIM

Removal — Door trim

- ① Remove inside handle escutcheon.
- ② Remove power window switches, then disconnect the connectors.
- ③ Remove screw securing pull handle, and then remove pull handle.
- ④ Remove step lamp lens and two screws securing step lamp, and then disconnect step lamp connector.
- ⑤ Remove two screws. (Front door only)
- ⑥ Remove clips (C101) securing door finisher.
- ⑦ Lift out door finisher.

SEC. 251-267-809-828



GI
MA
EM
LC
EC
FE
CL
MT
AT
FA
RA
BR
ST
BF
HA
EL
IDX

INTERIOR AND EXTERIOR

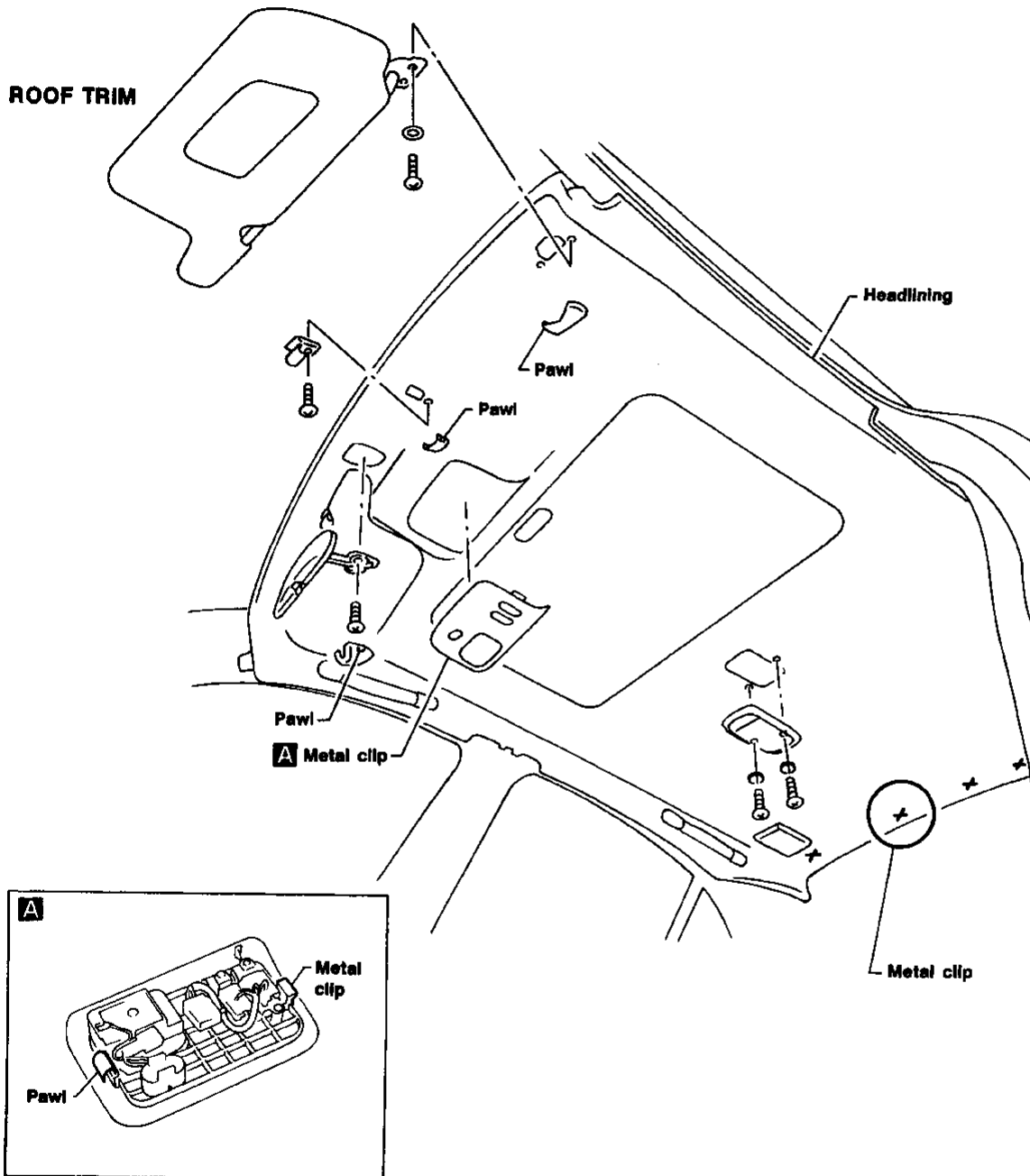
Interior (Cont'd)

ROOF TRIM

Take out of vehicle

- ① Remove steering wheel. (Refer to "ST" section.)
- ② Fully tilt front right and left seatbacks backward.
- ③ Take out head lining from the front passenger door.

SEC. 264-738-963-964



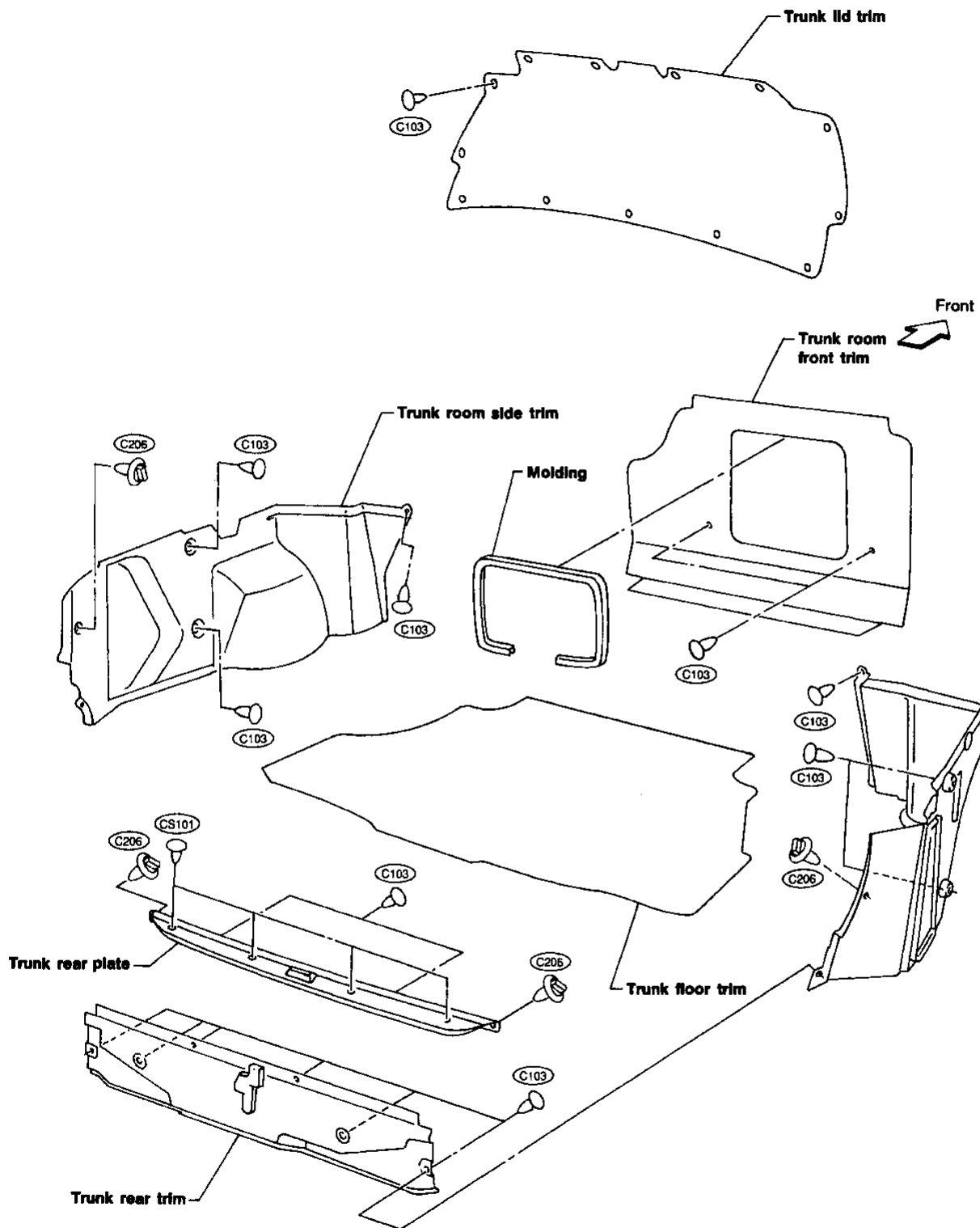
SBF338H

INTERIOR AND EXTERIOR

Interior (Cont'd)

TRUNK ROOM TRIM

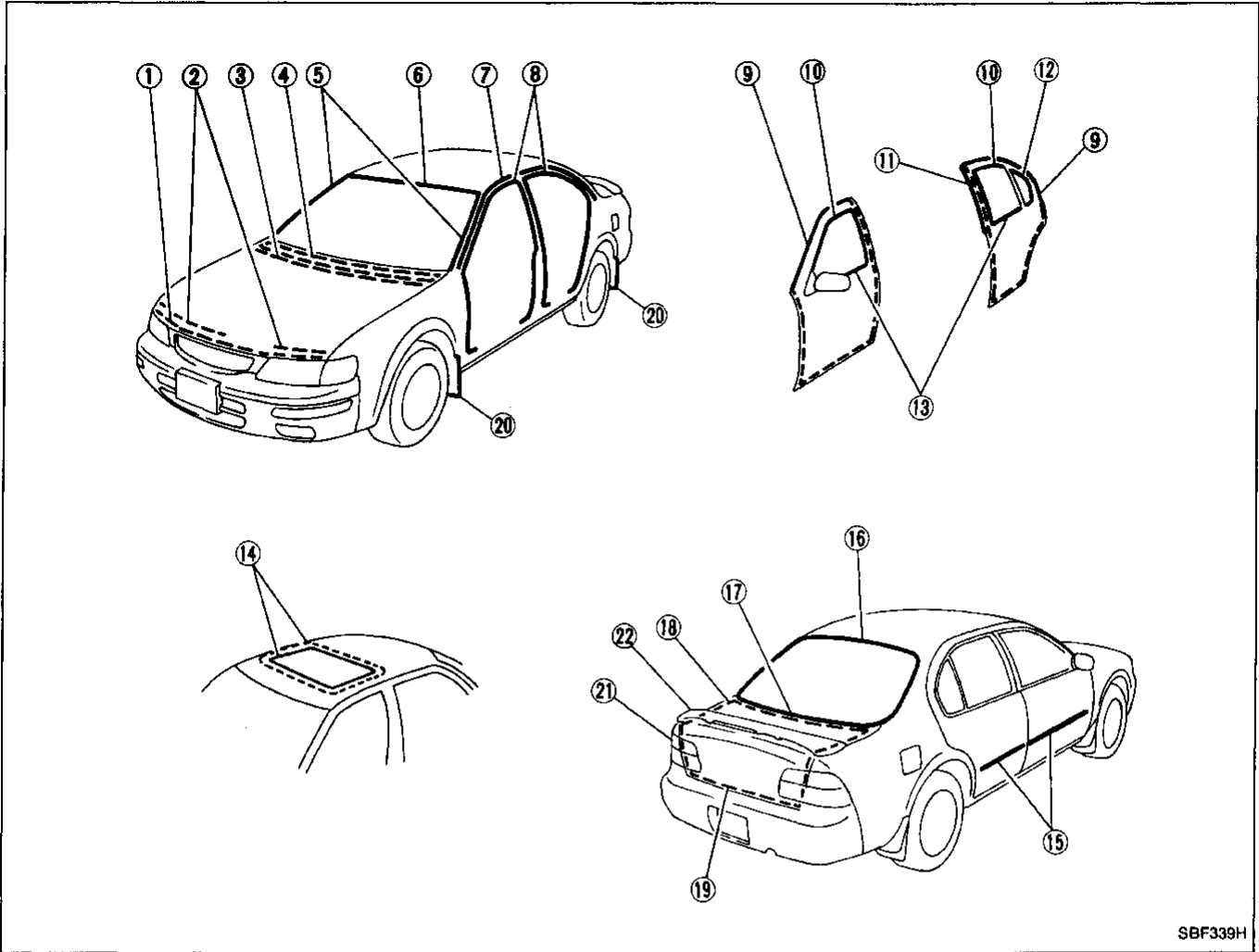
SEC. 849



GI
MA
EM
LC
EC
FE
CL
MT
AT
FA
RA
BR
ST
BF
HA
EL
IDX

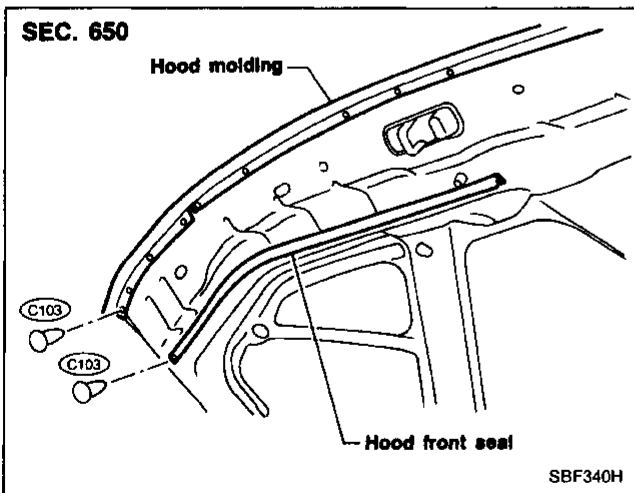
INTERIOR AND EXTERIOR

Exterior

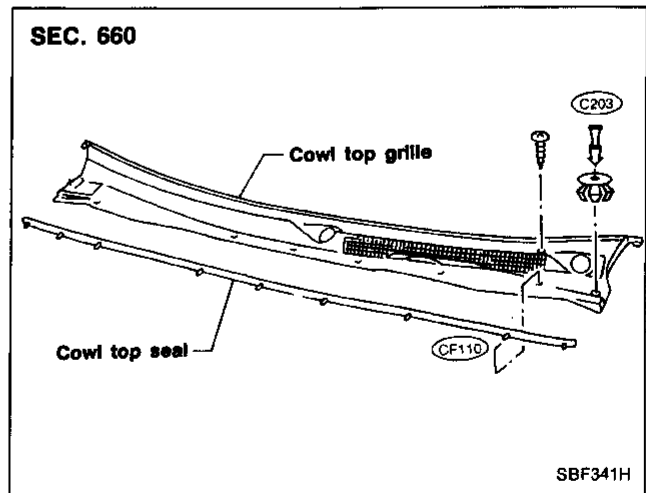


SBF339H

① ② Hood molding and hood front seal



③ ④ Cowl top seal and cowl top grille



⑤ Windshield side molding

Mounted with screws.

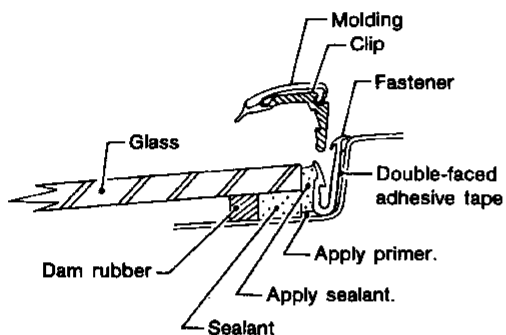
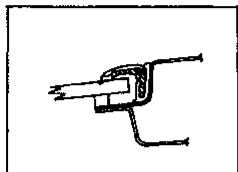
INTERIOR AND EXTERIOR

Exterior (Cont'd)

⑥ Windshield upper molding

SEC. 720

1. Cut off sealant at glass end.
2. Clean the side on which panel was mounted.
3. Set molding fastener and apply primer to body panel, and apply sealant to body.

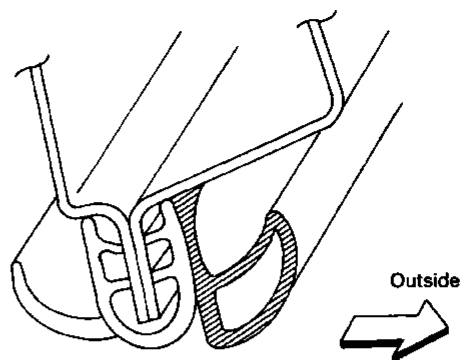


4. Install molding by aligning the molding mark located on center with vehicle center. Be sure to install tightly so that there is no gap around the corner.

SBF342H

⑧ Body side welt

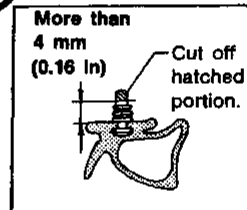
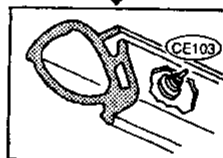
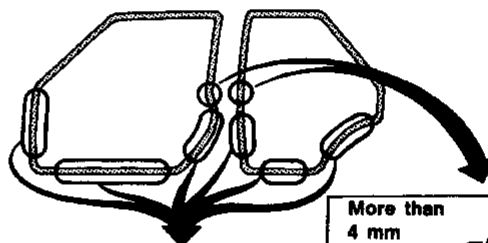
SEC. 767



SBF454EA

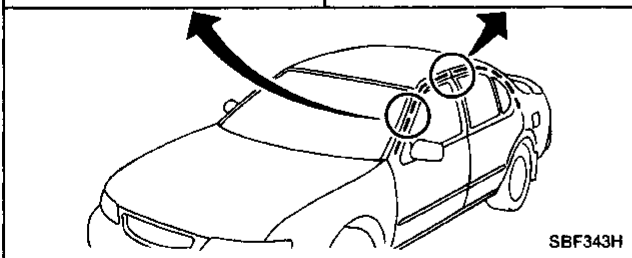
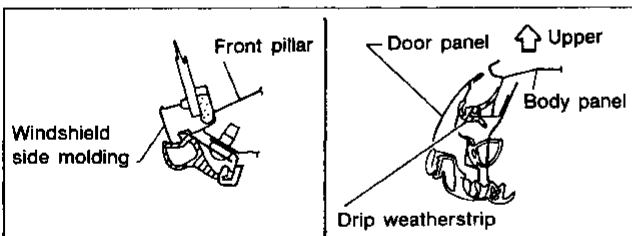
⑨ Door weatherstrip

SEC. 800-820



SBF455EA

⑦ Drip weatherstrip



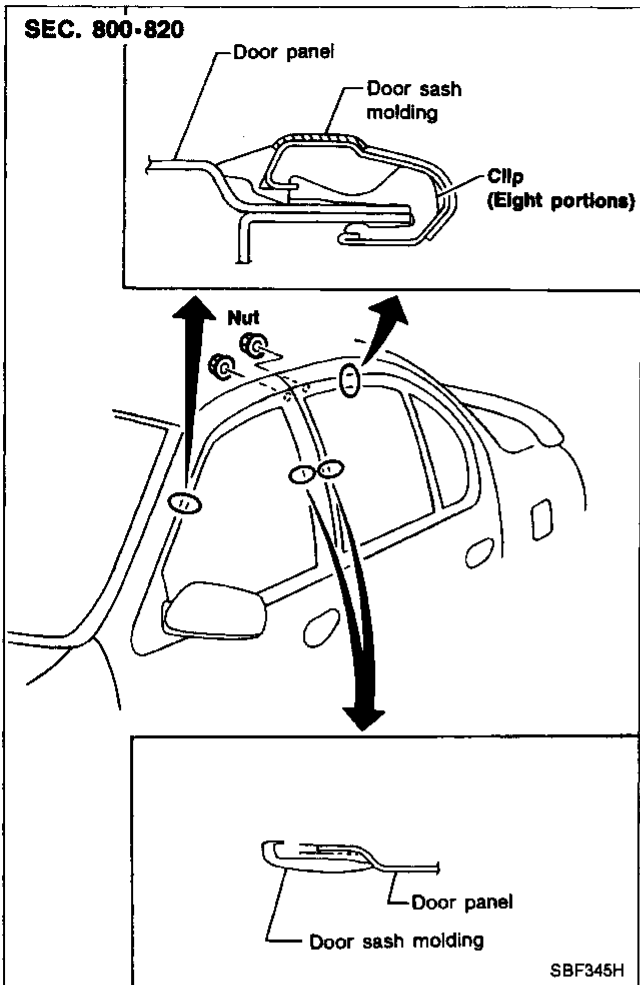
SBF343H

GI
MA
EM
LC
EC
FE
CL
MT
AT
FA
RA
BR
ST
BF
HA
EL
IDX

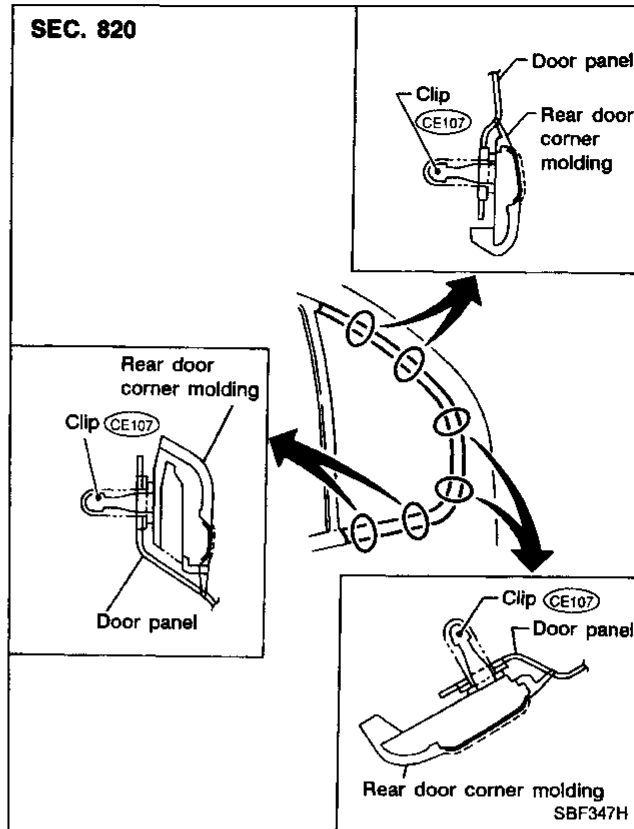
INTERIOR AND EXTERIOR

Exterior (Cont'd)

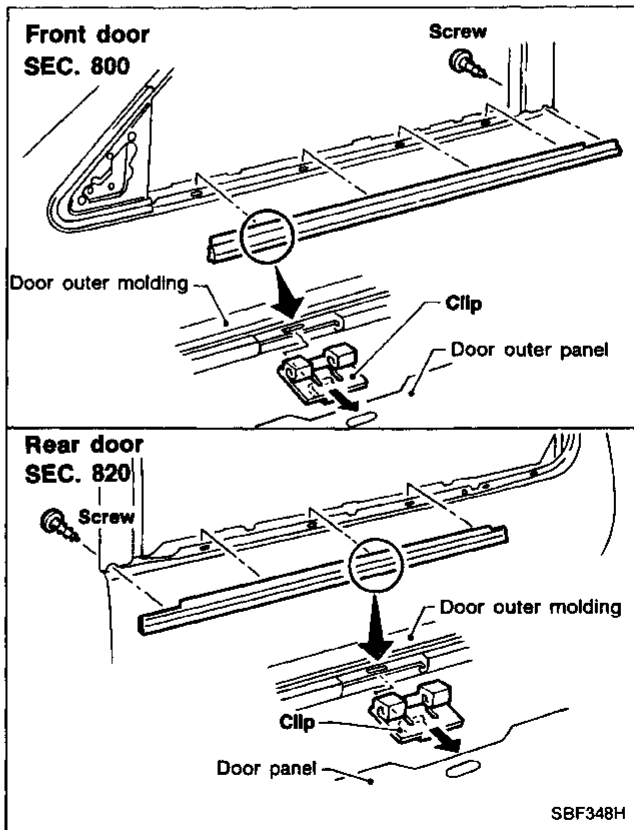
⑩ Door sash molding



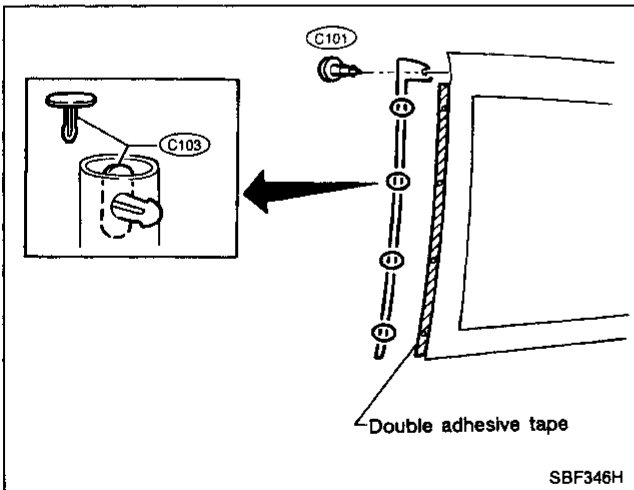
⑫ Rear door corner molding



⑬ Door outside molding



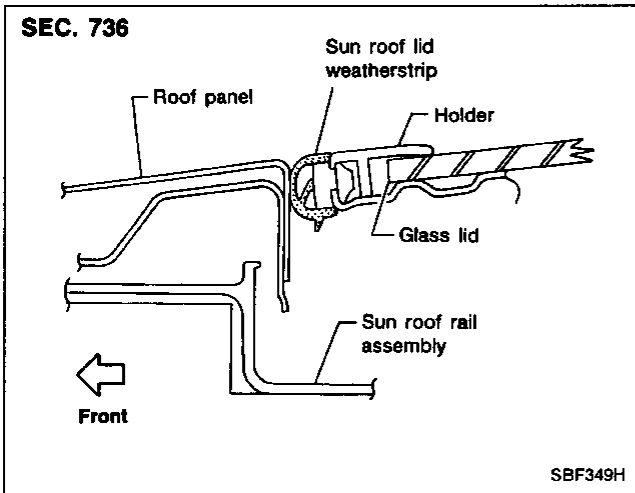
⑪ Front door parting seal



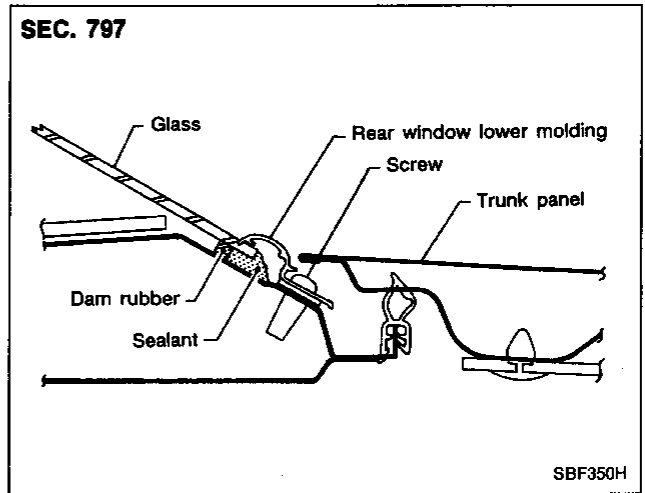
INTERIOR AND EXTERIOR

Exterior (Cont'd)

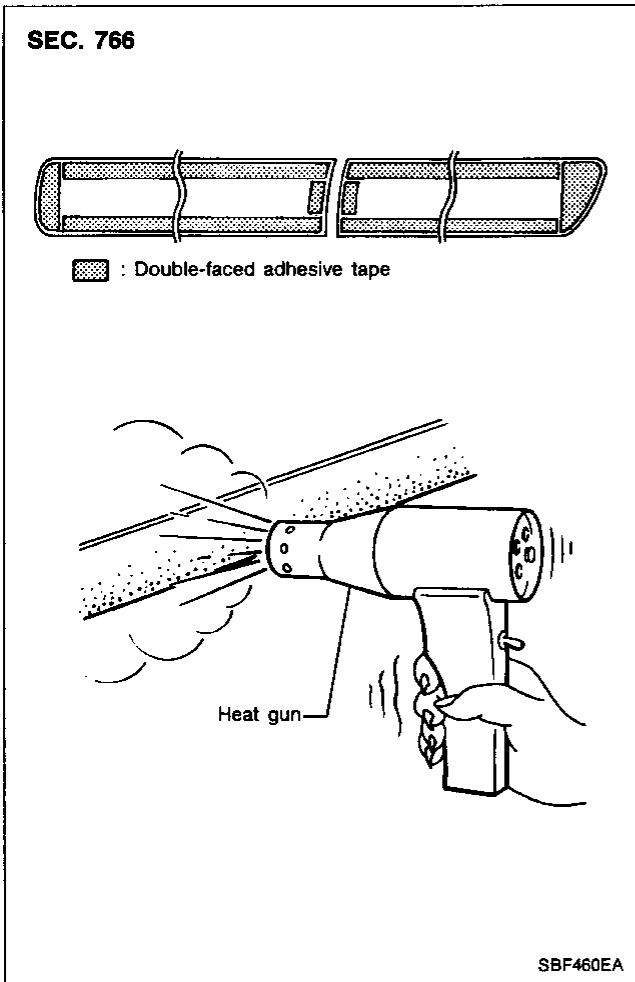
14 Sun roof lid weatherstrip



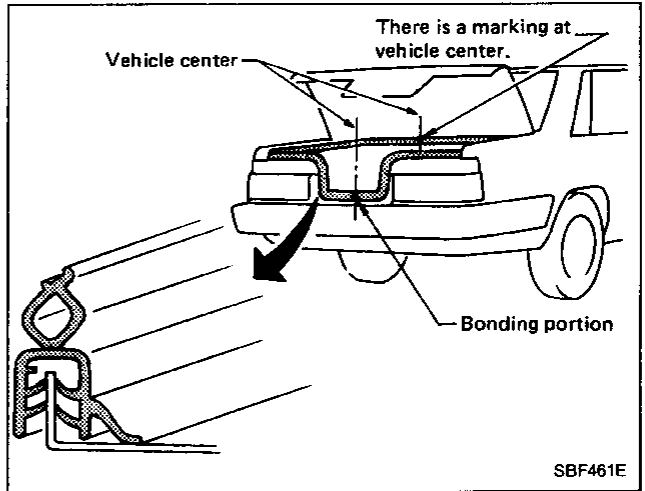
18 Rear window lower molding



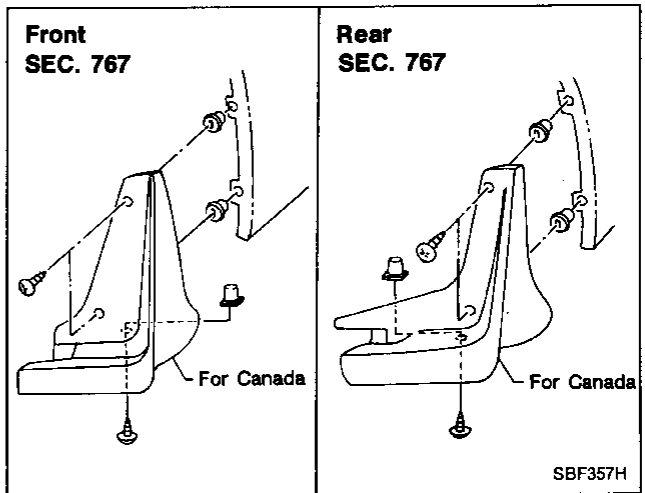
15 Side guard molding



19 Trunk lid weatherstrip



20 Mudguard



16 17 Rear window upper molding and side molding

Basically the same as windshield upper molding. Refer to 6 Windshield upper molding.

GI
MA
EM
LC
EC
FE
CL
MT
AT
FA
RA
BR
ST
BF
HA
EL
IDX

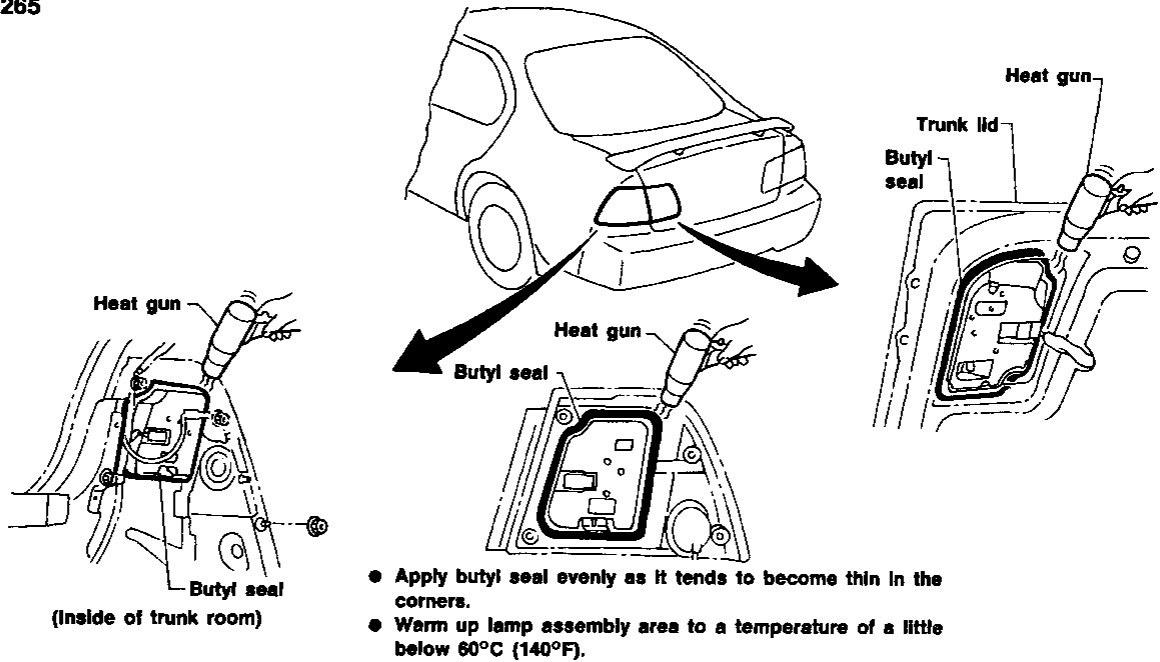
INTERIOR AND EXTERIOR

Exterior (Cont'd)

② Rear combination lamp

- Rear combination lamps are installed with nuts and butyl sealant.

SEC. 265

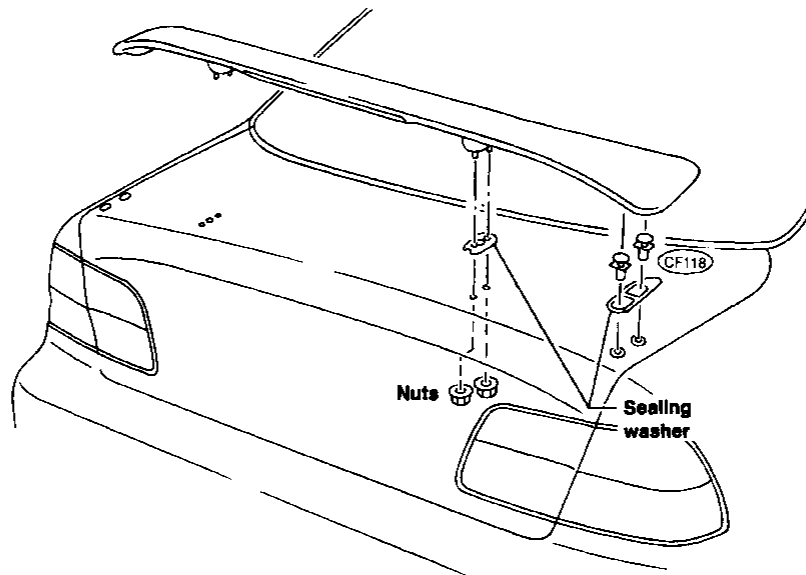


SBF358H

② Rear air spoiler

- When installing, make sure that there are not gaps or waves at ends of air spoiler.
- Before installing spoiler, clean and remove oil from surface where spoiler will be mounted.

SEC. 960



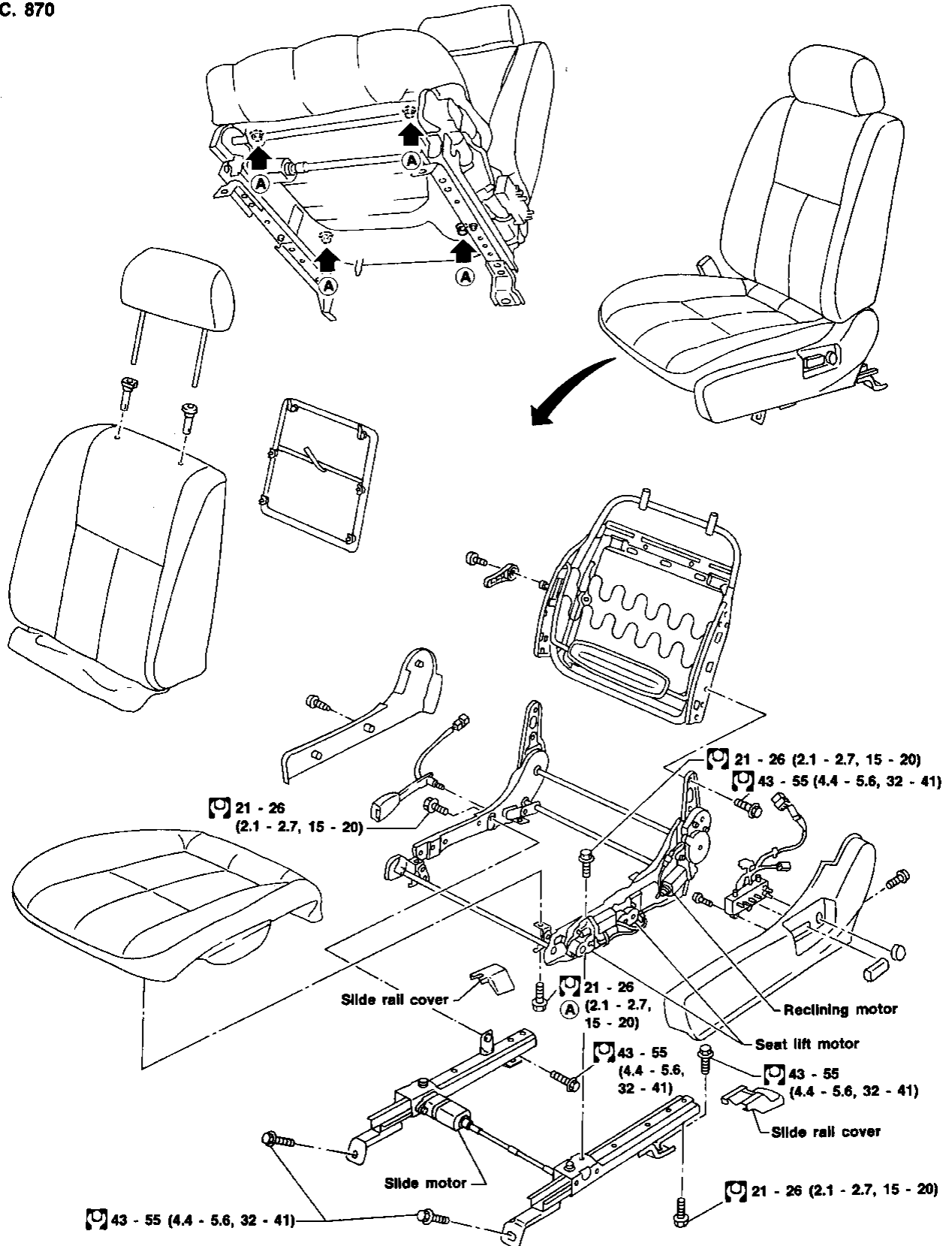
SBF359H

SEAT

- When removing or installing the seat trim, carefully handle it to keep dirt out and avoid damage.

Front Seat

SEC. 870



GI
MA
EM
LC
EC
FE
CL
MT
AT
FA
RA
BR
ST
BF
HA
EL
IDX

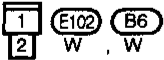
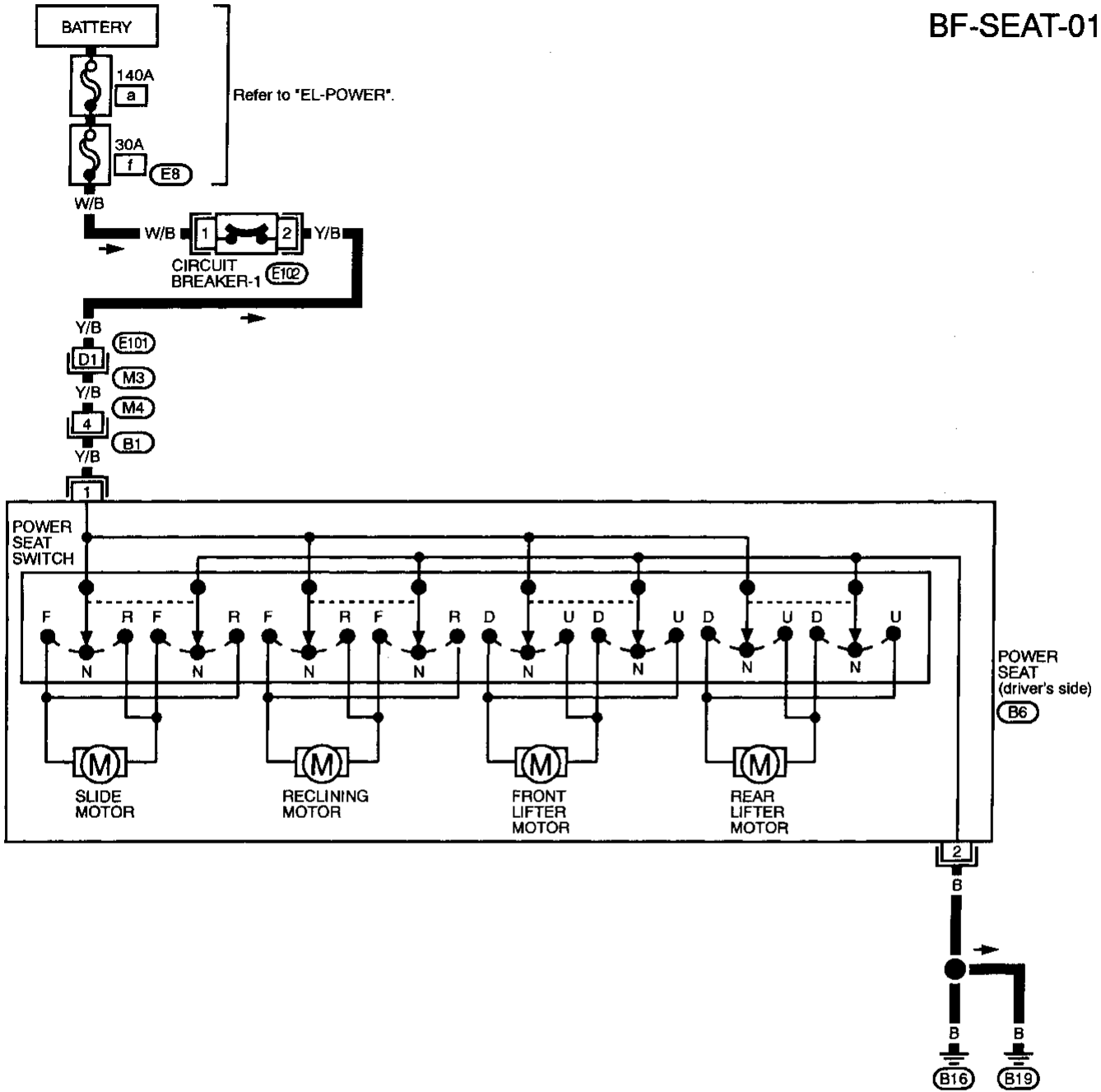
: N·m (kg-m, ft-lb)

SBF351H

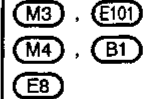
BF-25

Power Seat/Wiring Diagram — SEAT —

BF-SEAT-01



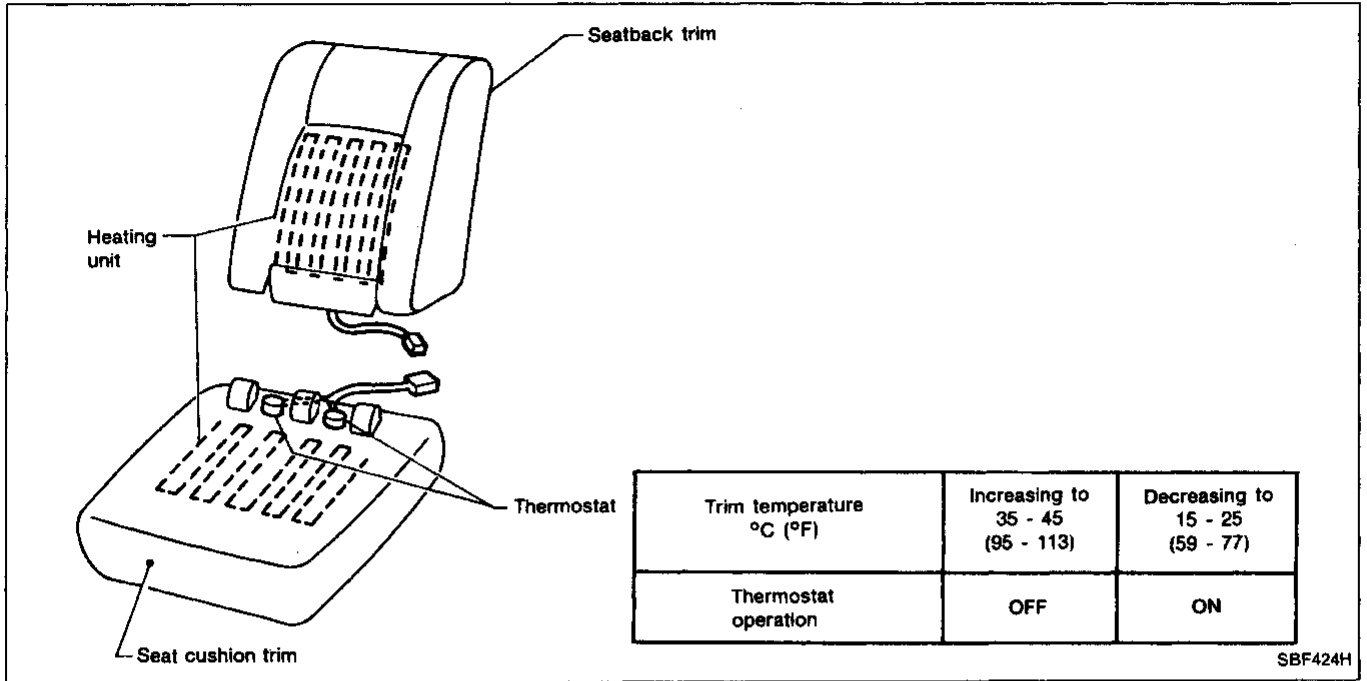
Refer to last page (Foldout page).



Heated Seat

- When handling seat, be extremely careful not to scratch heating unit.
- To replace heating unit, seat trim and pad should be separated.
- Do not use any organic solvent, such as thinner, benzene, alcohol, gasoline, etc. to clean trims.

Seatback heating unit removal & installation

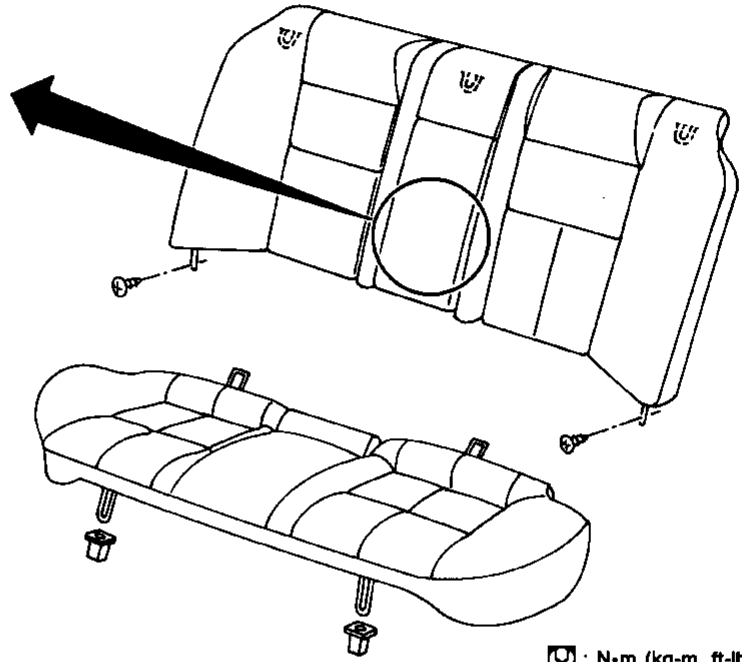
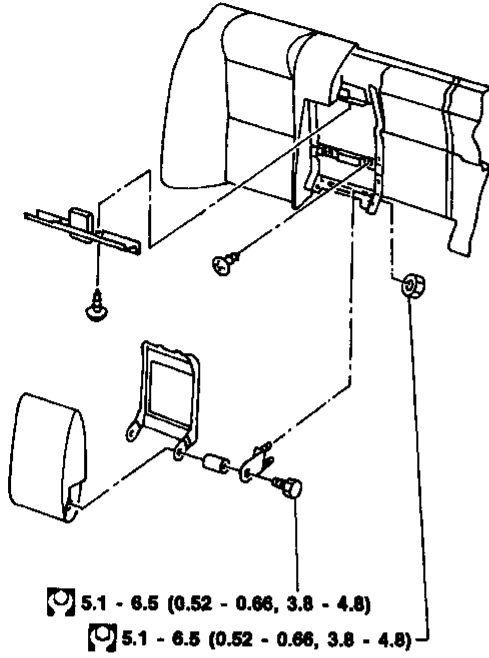



GI
MA
EM
LC
EC
FE
CL
MT
AT
FA
RA
BR
ST
BF
HA
EL
IDX

SEAT

Rear Seat

SEC. 880



 : N·m (kg·m, ft·lb)
SBF352H

GI

MA

EM

LC

EC

FE

CL

MT

AT

FA

RA

BR

ST

BF

HA

EL

IDX

SEAT BELT

CAUTION:

1. If the condition of any component of a seat belt is questionable, do not have seat belt repaired, but replaced as a belt assembly.
2. Do not spill drinks, oil, etc. on inner lap belt buckle. Never oil tongue and buckle.

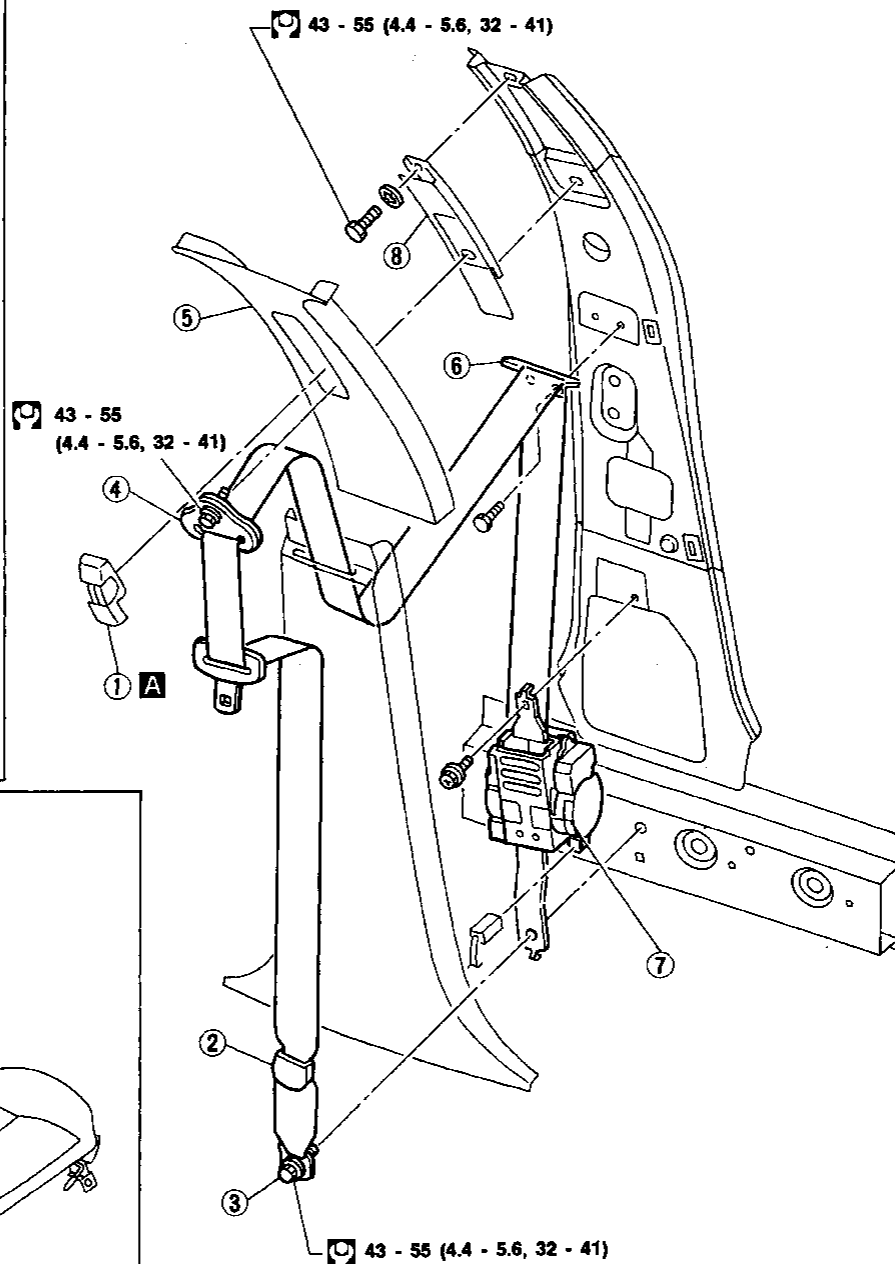
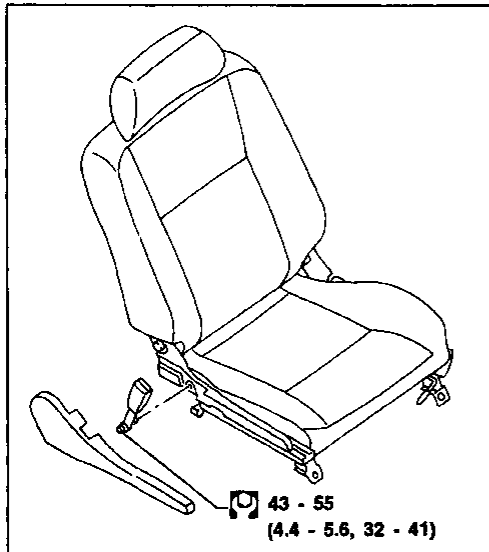
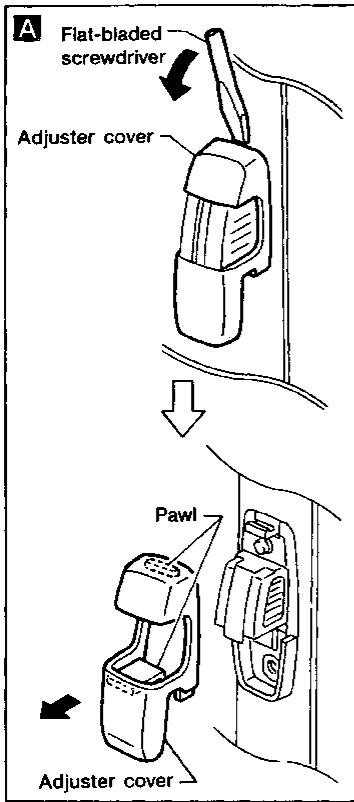
Front Seat Belt

Removal

Remove front seat. Refer to "Front Seat", BF-25.

- ① Remove adjuster cover.
- ② Slide the outer anchor cover.
- ③ Remove outer anchor bolt.
- ④ Remove shoulder anchor bolt.
- ⑤ Remove center pillar trim. Refer to "Interior", BF-16.
- ⑥ Remove second sash guide.
- ⑦ Remove retractor.
- ⑧ Remove seat belt adjuster.

SEC. 769-868



: N·m (kg·m, ft·lb)

SBF353H

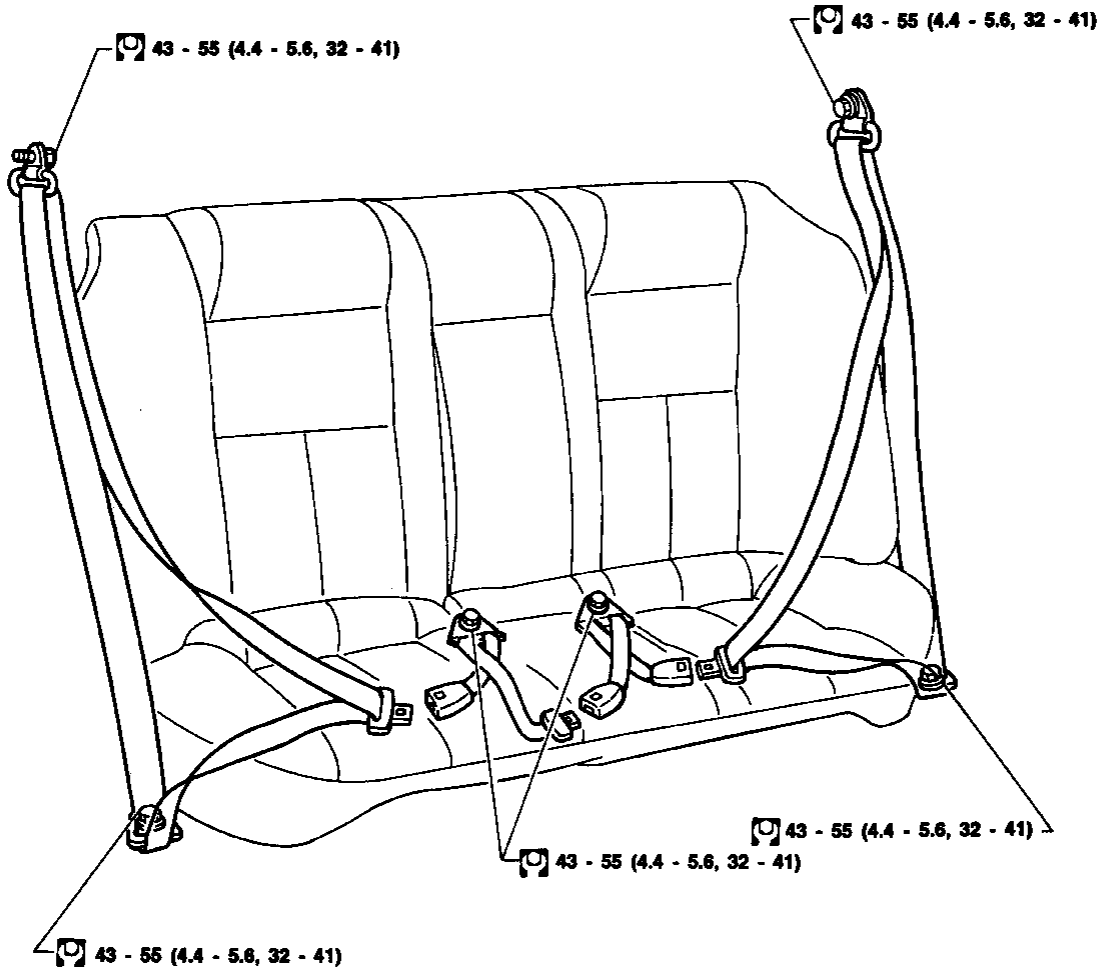
SEAT BELT

Rear Seat Belt

Remove rear seat. Refer to "Rear Seat", BF-29.

Remove rear pillar trim. Refer to "Interior", BF-16.

SEC. 869



: N·m (kg·m, ft·lb)

SBF354H

GI

MA

EM

LC

EC

FE

CL

MT

AT

FA

RA

BR

ST

BF

HA

EL

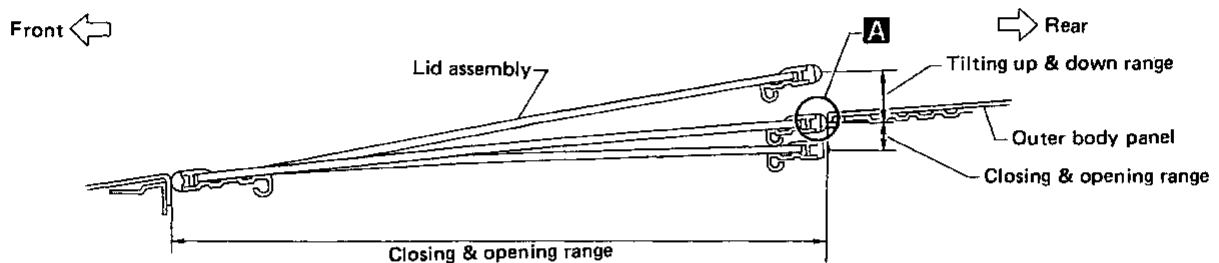
IDX

SUN ROOF

ADJUSTMENT

Install motor & limit SW assembly and sunroof rail assembly in the following sequence:

1. Arrange equal lengths of link and wire assemblies on both sides of sunroof opening.
2. Connect sunroof connector to sunroof switch and positive (+) power supply.
3. Set lid assembly to fully closed position **A** by operating OPEN switch and TILT switch.
4. Fit outer side of lid assembly to the surface of roof on body outer panel.
5. Remove motor, and keep OPEN switch pressed until motor pinion gear reaches the end of its rotating range.
6. Install motor.
7. Check that motor drive gear fits properly in wires.
8. Press TILT-UP switch to check lid assembly for normal tilting.
9. Check sunroof lid assembly for normal operations (tilt-up, tilt-down, open, and close).



SBF920F

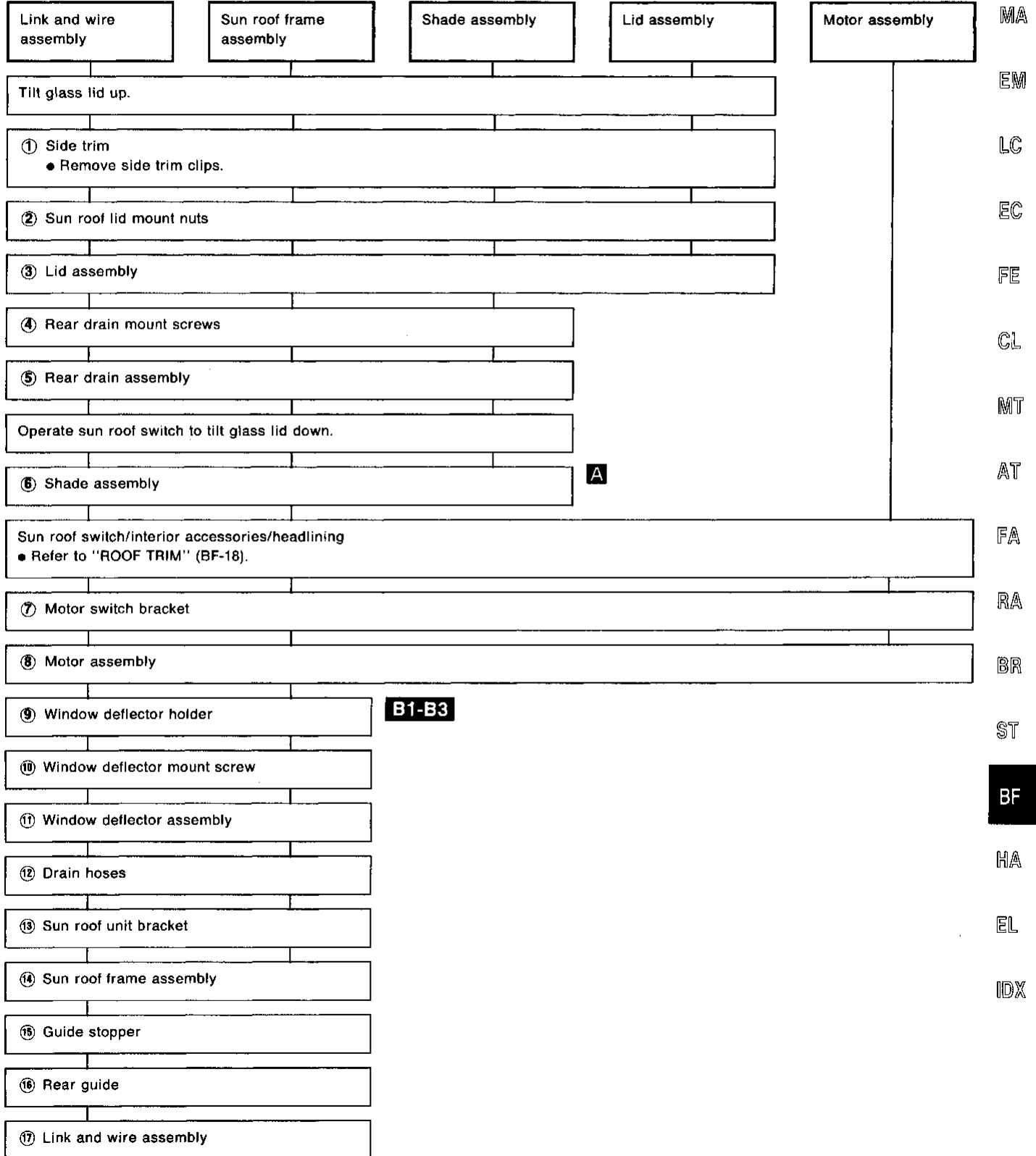
SUN ROOF

REMOVAL

- After any adjustment, check sun roof operation and lid alignment.
- Handle finisher plate and glass lid with care so not to cause damage.
- It is desirable for easy installation to mark each point before removal.

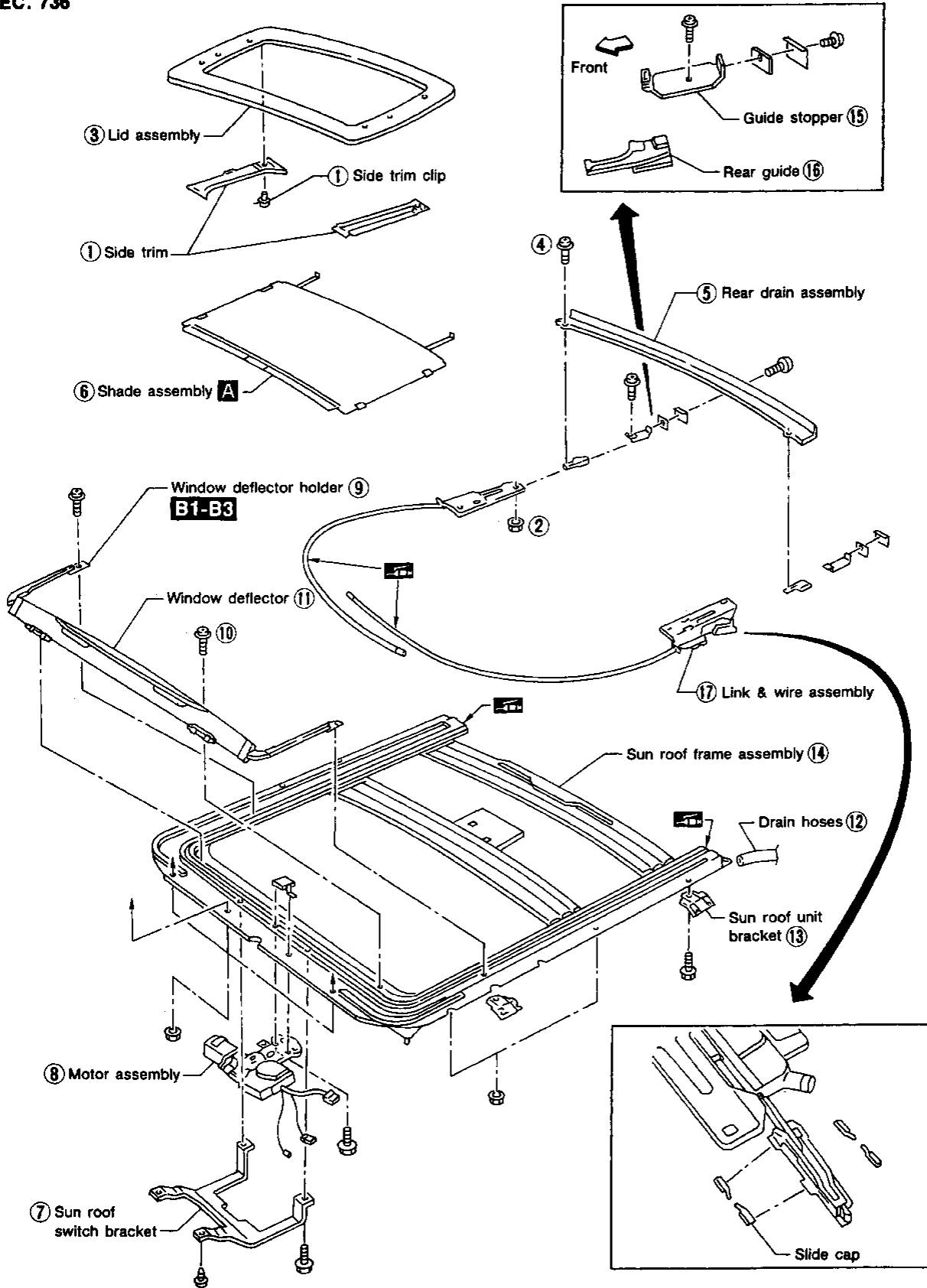
CAUTION:

Always work with a helper.



SUN ROOF

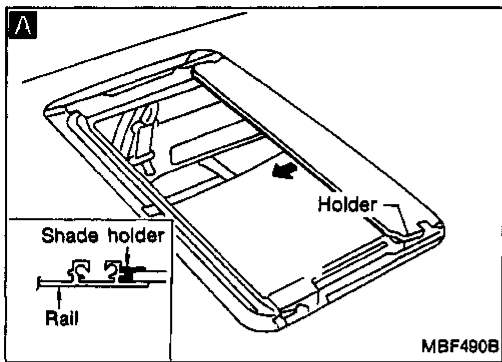
SEC. 736



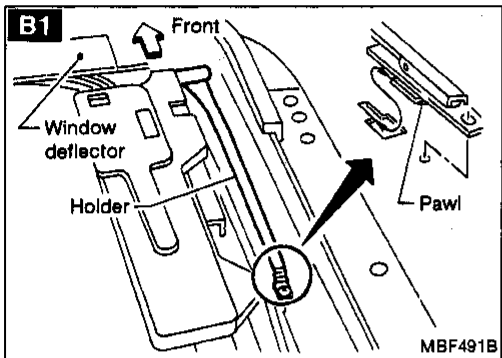
MBF462BA

BF-34

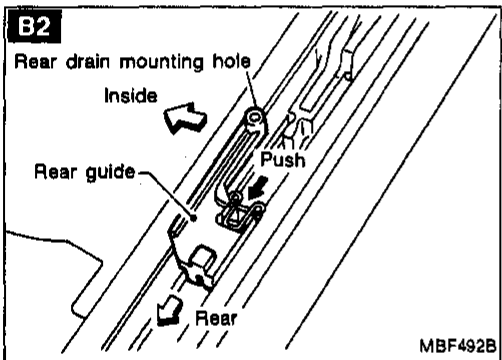
SUN ROOF



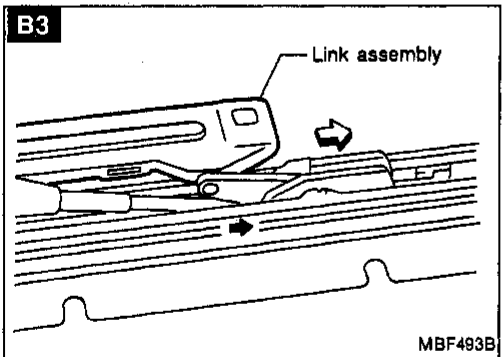
A Using flat-bladed screwdriver, pry shade assembly holder off rail. Then pull shade assembly forward to remove it from rail.



B1 Disengage pawls from rail, then remove window deflector holder.



B2 Using flat-bladed screwdriver, pry stopper spring off rail groove. Then slide rear guide backward to remove it from rail.



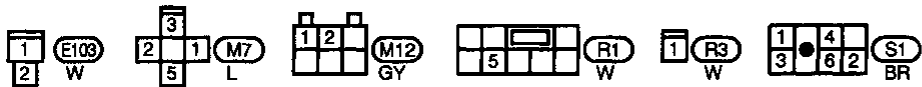
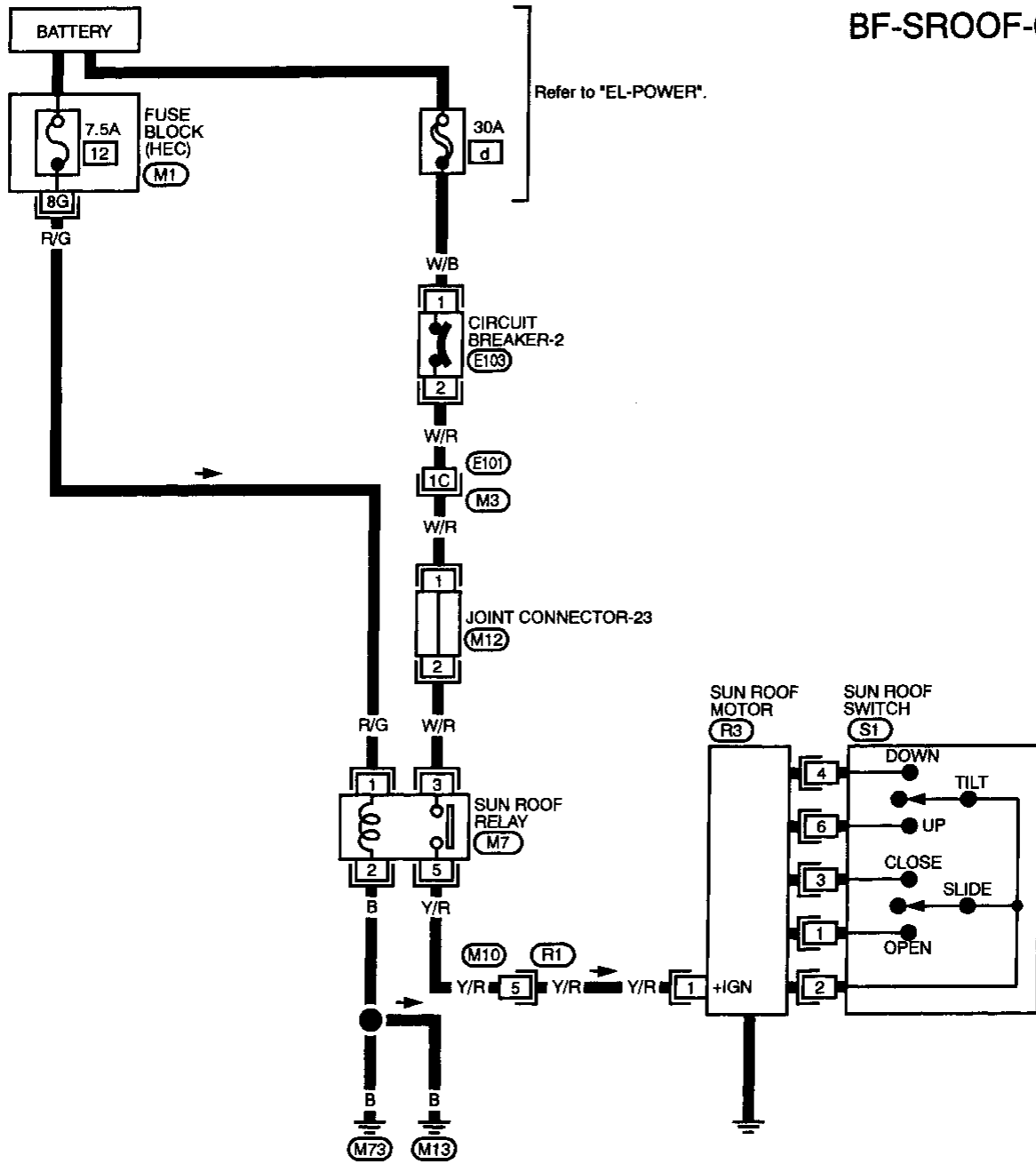
B3 Remove wire and link assembly from rail while pushing link back with flat-bladed screwdriver.

GI
MA
EM
LC
EC
FE
CL
MT
AT
FA
RA
BR
ST
BF
HA
EL
IDX

SUN ROOF

Wiring Diagram — SROOF —

BF-SROOF-01

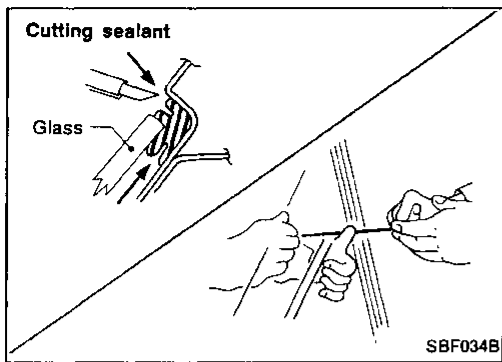


Refer to last page (Foldout page).

(M3), (E101)

(M1)

WINDSHIELD AND WINDOWS



REMOVAL

After removing moldings, remove glass.

CAUTION:

Be careful not to scratch glass when removing.

INSTALLATION

- Use genuine Nissan Sealant kit or equivalent. Follow instructions furnished with it.
- After installing the glass, the vehicle should remain stationary until the sealant hardens.

WARNING :

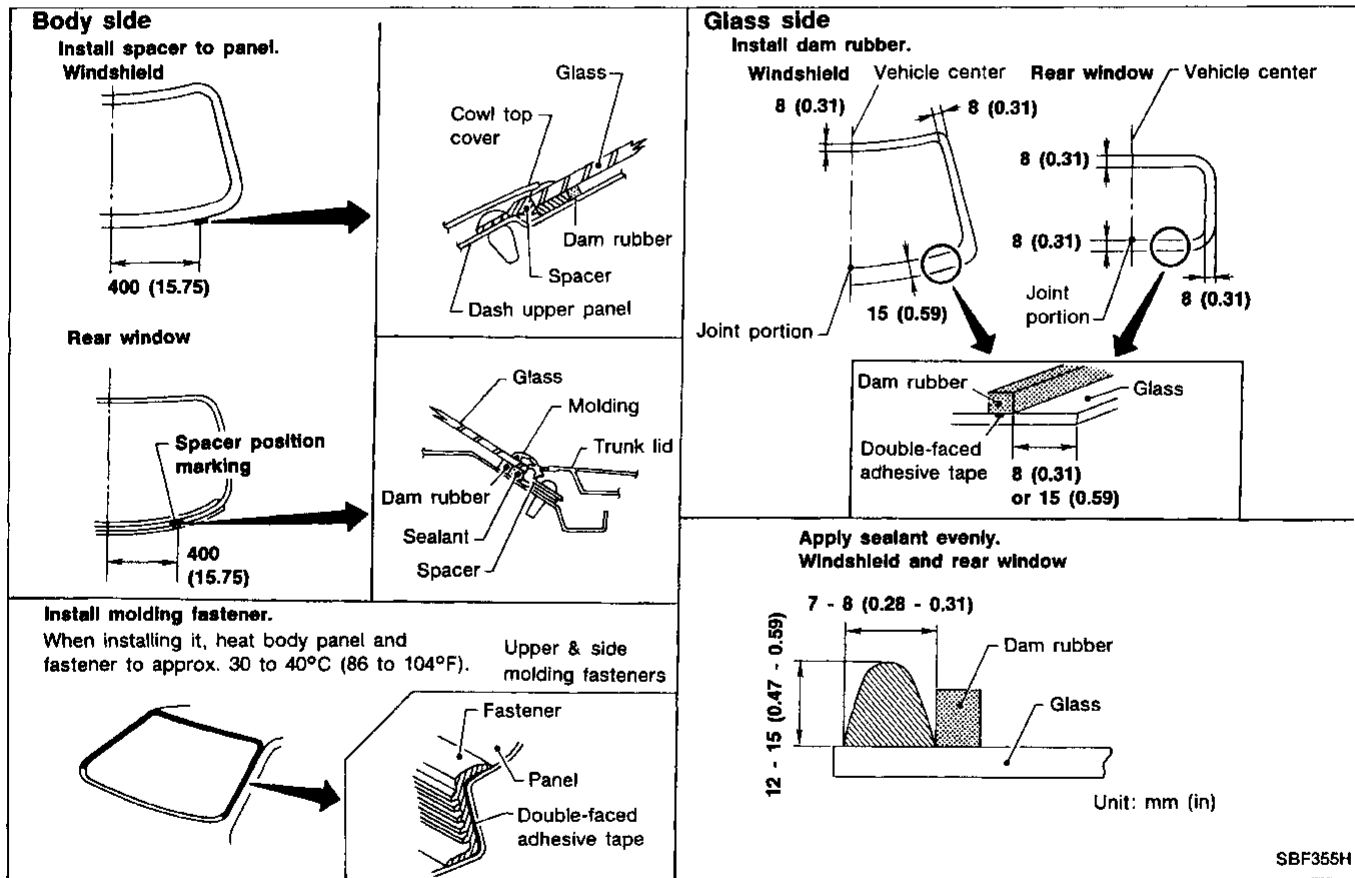
Keep heat and open flames away as primers are flammable.

CAUTION:

Advise user not to drive the vehicle on rough roads until sealant has properly vulcanized.

- Do not use sealant which is past its usable term.
- Do not leave cartridge unattended with its cap open.
- Keep primers and sealant in a cool, dry place. Ideally, they should be stored in a refrigerator.
- Molding must be installed securely so that it is in position and leaves no gap.

Windshield and Rear Window



REPAIRING WATER LEAKS FOR WINDSHIELD

Leaks can be repaired without removing and reinstalling glass.

If water is leaking between caulking material and body or glass, determine the extent of leakage. This can be determined by applying water while pushing glass outward.

To stop the leak, apply primer and then sealant to the leak point.

MIRROR

Door Mirror

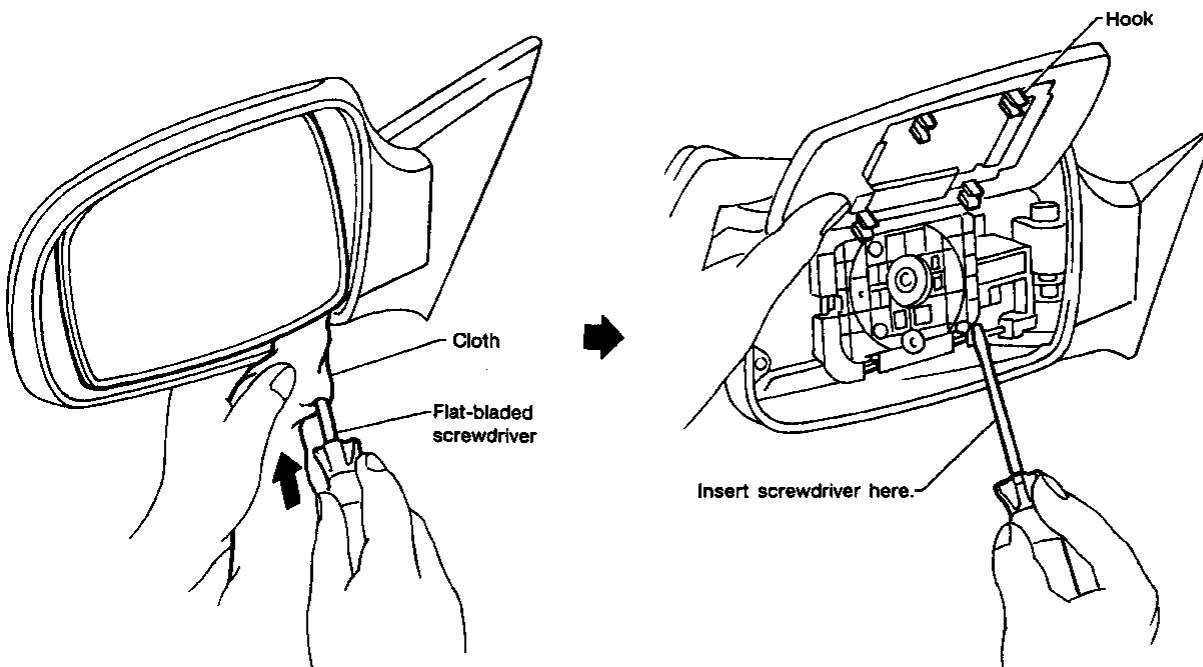
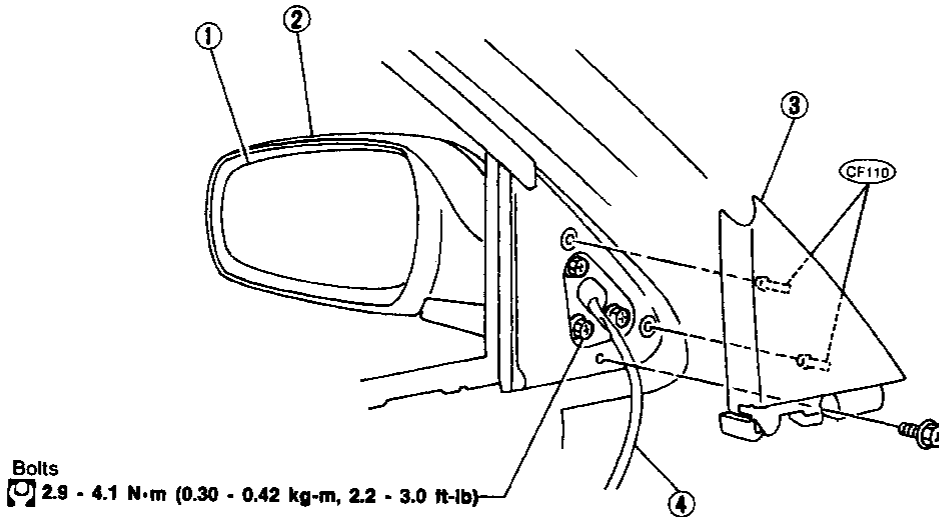
CAUTION:

Be careful not to scratch door rearview mirror body.

REMOVAL — Door mirror

1. Remove door trim. Refer to "Removal — Door trim" in "Interior" for details, BF-17.
2. Remove inner cover front corner of door.
3. Disconnect door mirror harness connector.
4. Remove door mirror harness clips.
5. Remove three bolts securing door mirror assembly.
6. Remove the mirror glass. Do not insert screwdriver too far.

SEC. 963



SBF356H

- ① Mirror glass
- ② Mirror body

③ Inner cover

④ Door mirror harness

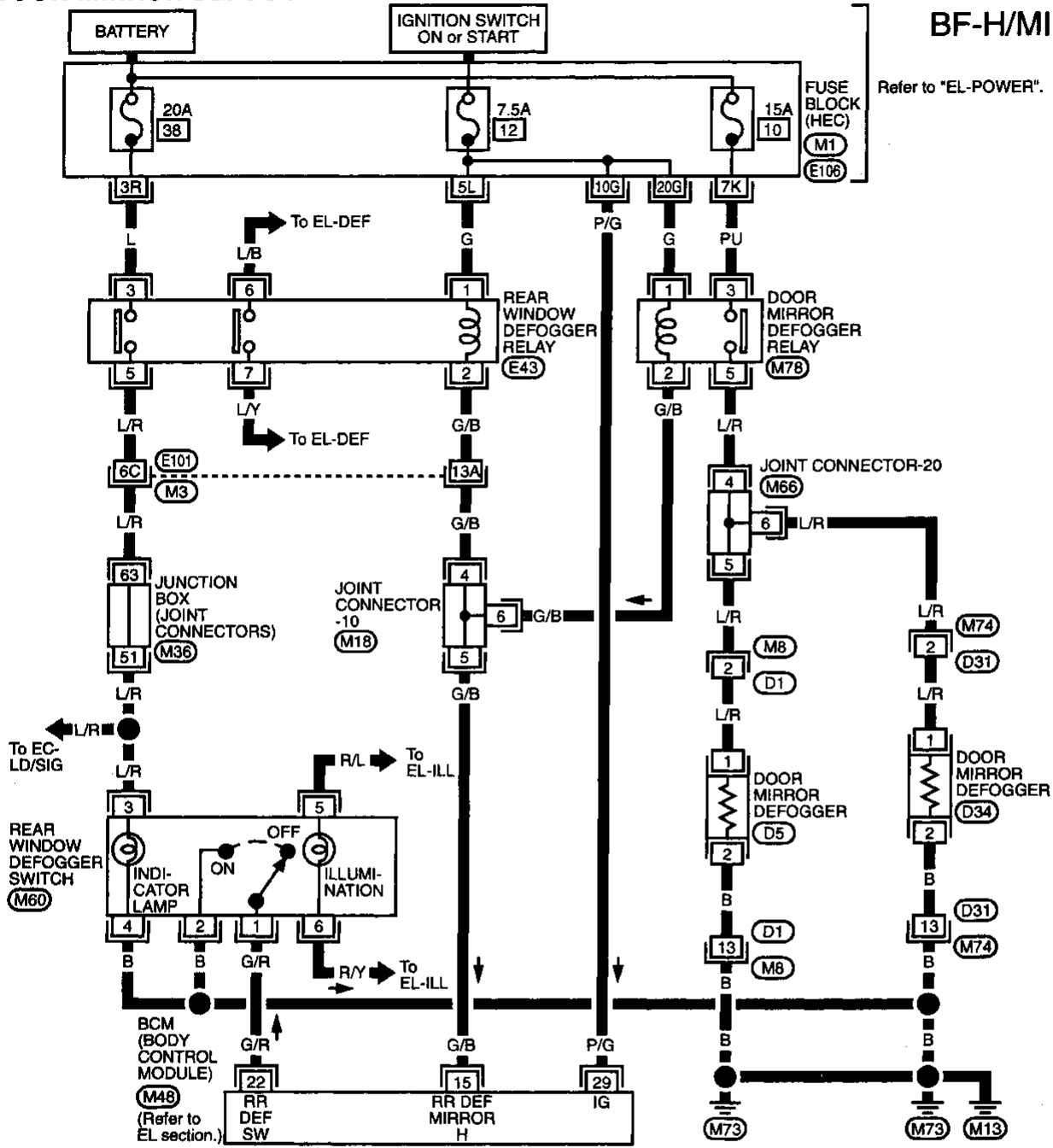
MIRROR

Wiring Diagram — H/MIRR —

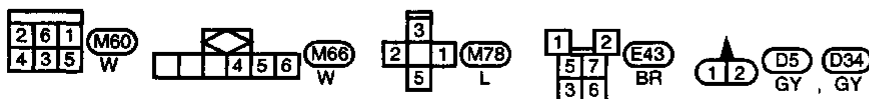
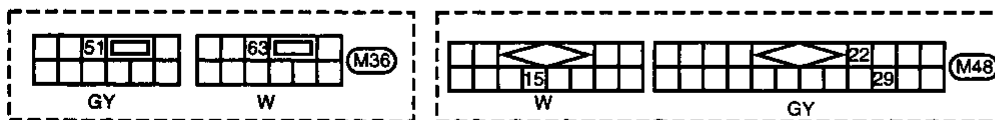
DOOR MIRROR DEFOGGER

BF-H/MIRR-01

Refer to "EL-POWER".



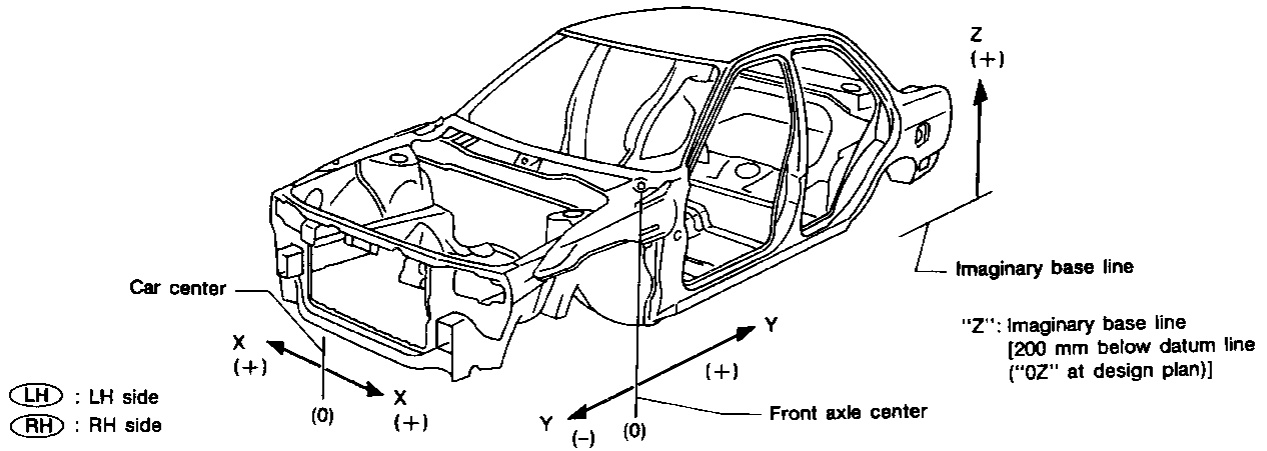
Refer to last page (Foldout page).



- (M3) (E101)
- (M1)
- (E106)
- (M18)
- (M36)
- (M66)

BODY ALIGNMENT

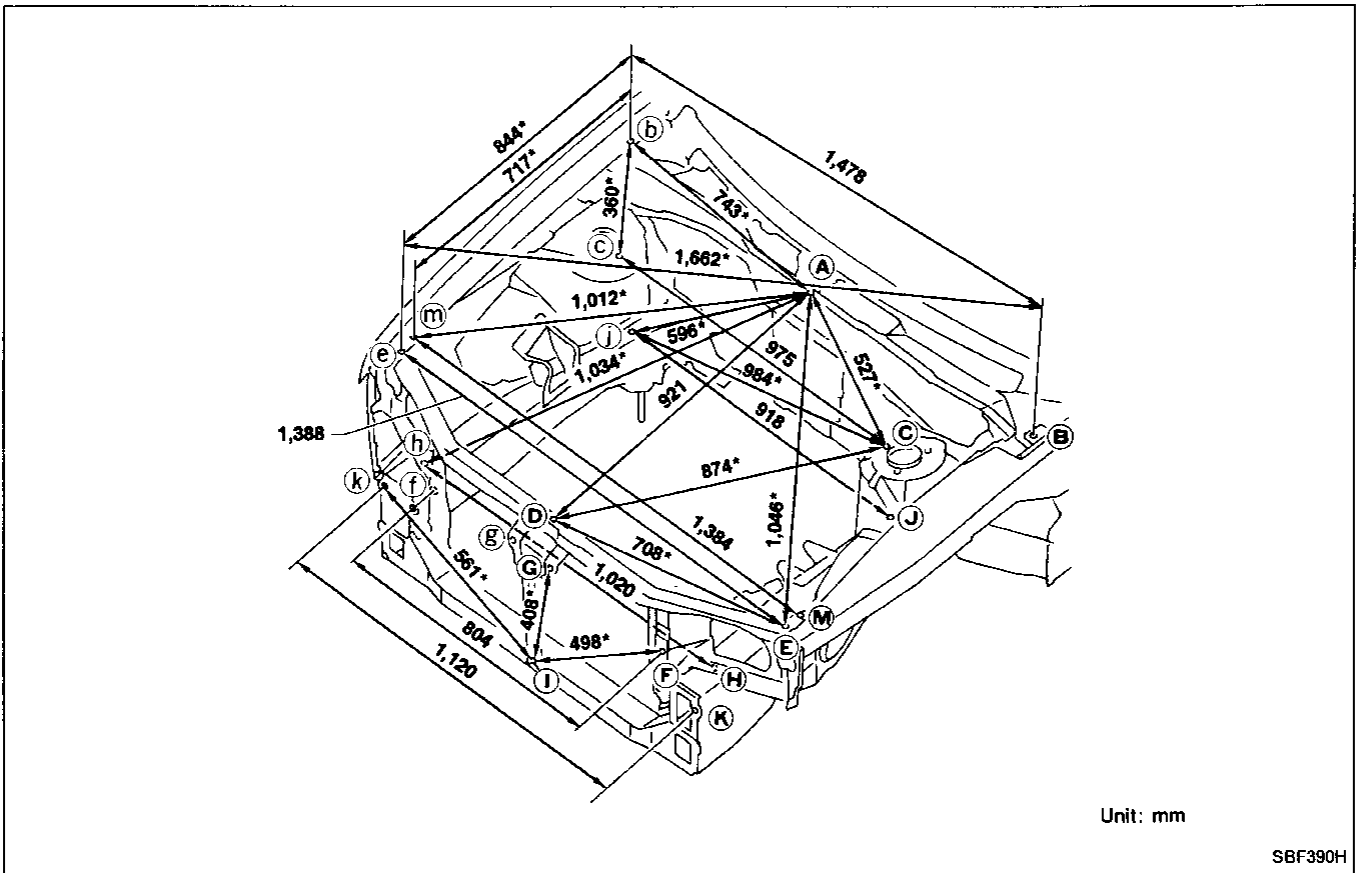
- All dimensions indicated in figures are actual ones.
- When using a tracking gauge, adjust both pointers to equal length. Then check the pointers and gauge itself to make sure there is no free play.
- When a measuring tape is used, check to be sure there is no elongation, twisting or bending.
- Measurements should be taken at the center of the mounting holes.
- An asterisk (*) following the value at the measuring point indicates that the measuring point on the other side is symmetrically the same value.
- The coordinates of the measurement points are the distances measured from the standard line of "X", "Y" and "Z".



SBF874G

Engine Compartment

MEASUREMENT

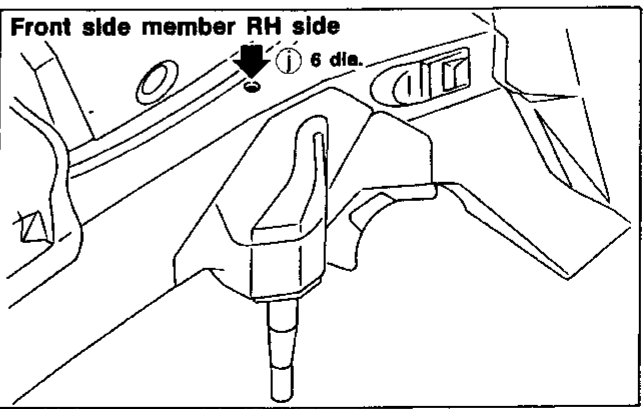
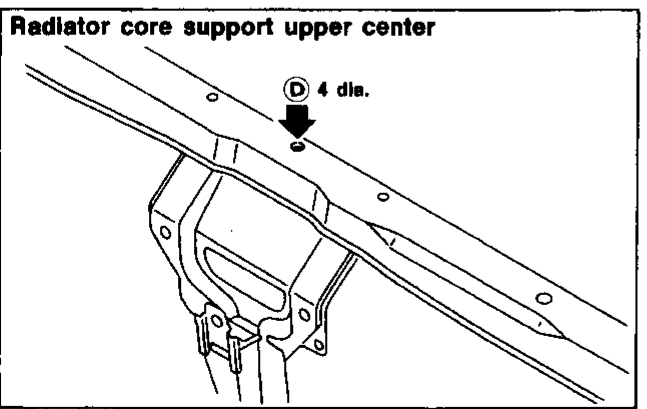
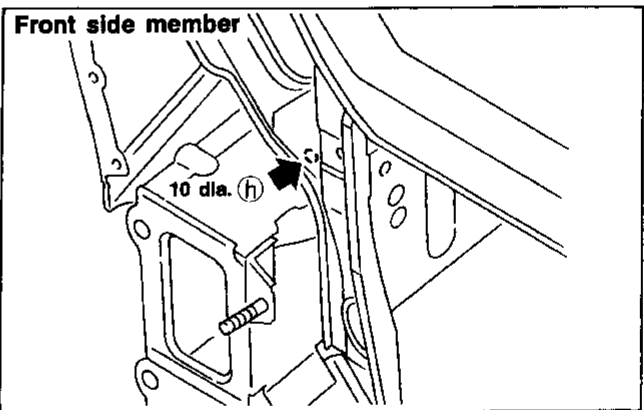
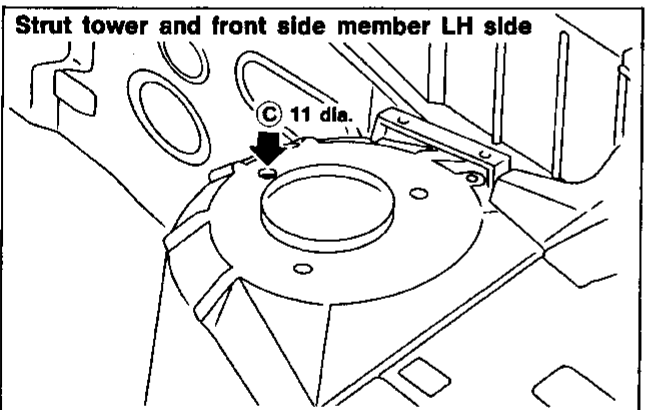
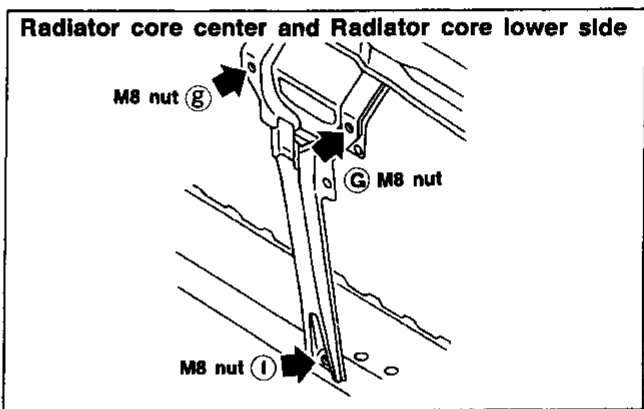
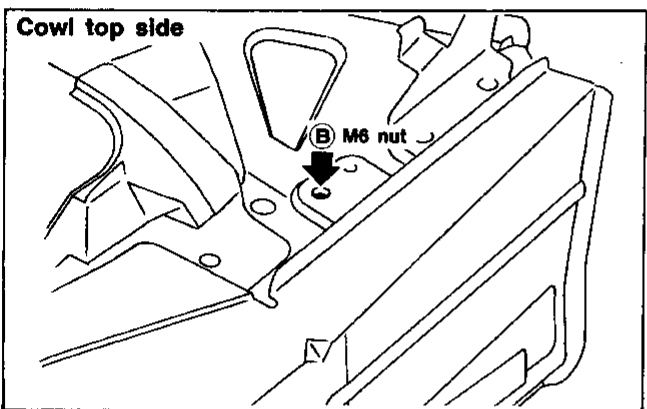
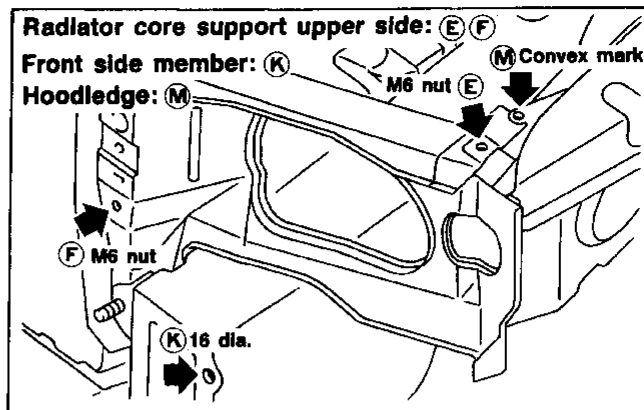
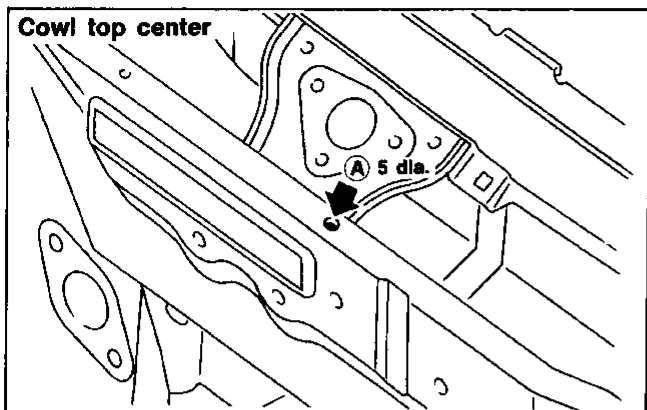


SBF390H

BODY ALIGNMENT

Engine Compartment (Cont'd)

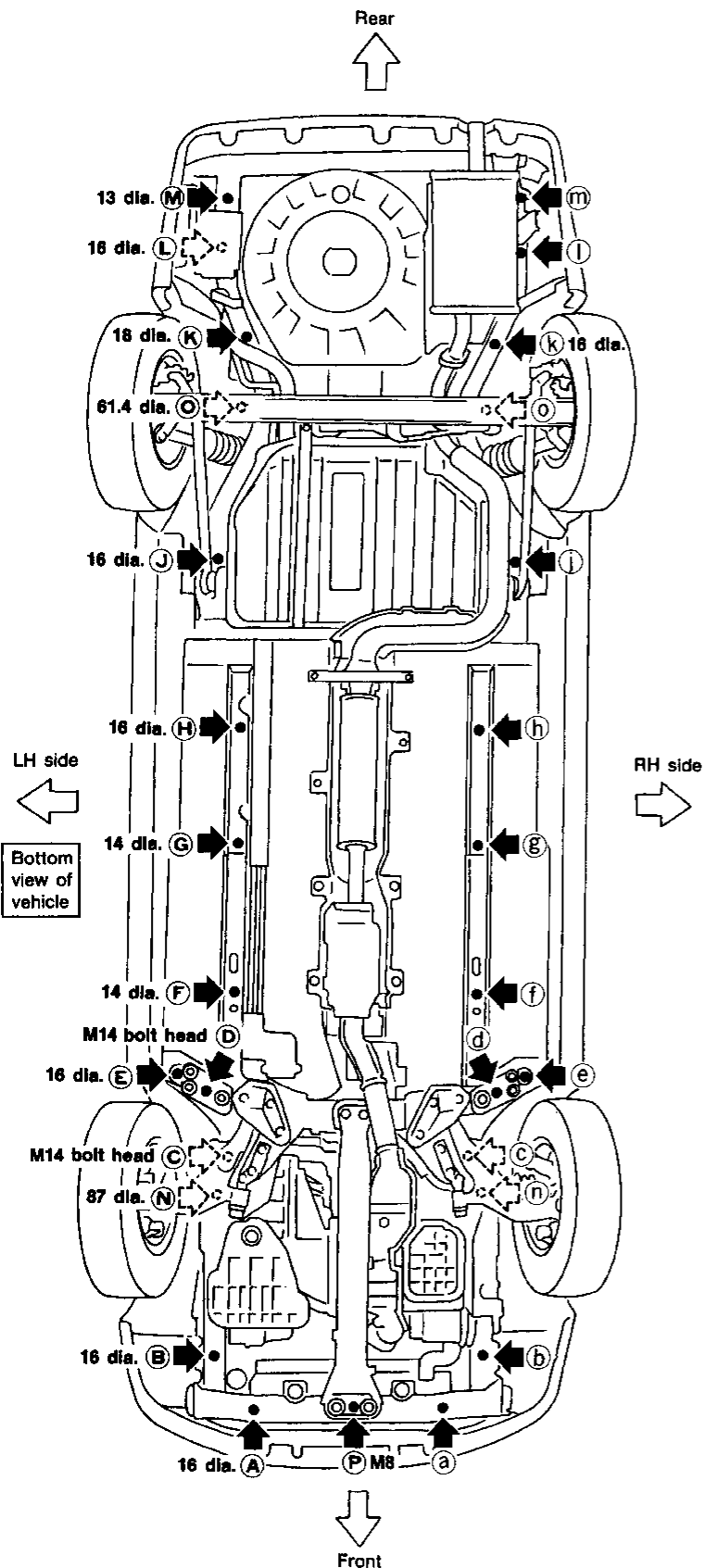
MEASUREMENT POINTS



BODY ALIGNMENT

Underbody (Cont'd)

MEASUREMENT POINTS



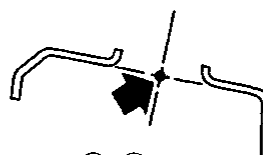
Coordinates:

(A), (a)	(J), (j)
X: 330	Radius rod bracket mounting hole
Y: -710	X: 555
Z: 188.8	X: 2,185
(B), (b)	Z: 239.5
X: 513	(K)
Y: -540	X: 512
Z: 322	X: 3,000
(C), (c)	Y: 2,185
X: 450	Z: 326.6
Y: 68	(k)
Z: 184	X: -544
(D), (d)	X: 441
X: 441	Y: 2,982
Y: 354	Z: 328.2
Z: 111.5	(L)
(E), (e)	X: 540
X: 600	Y: 3,272
Y: 430	Z: 326.6
Z: 154.9	(I)
(F), (f)	X: -575
X: 412	Y: 3,280
Y: 700	Z: 326.6
Z: 109	(M)
(G), (g)	X: 546
X: 414.5	Y: 3,454
Y: 1,210	Z: 295.4
Z: 108.4	(m)
(H), (h)	X: -570.5
X: 412.5	Y: 3,450
Y: 1,625	Z: 326.6
Z: 104	(P)
	X: 0
	Y: -749
	Z: 222

Front and rear strut tower centers

Coordinates:

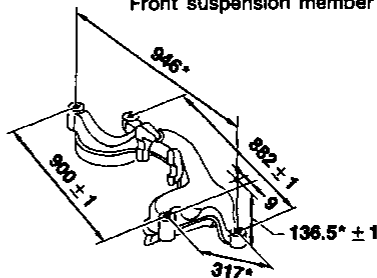
(N), (n)
X: 548.8
Y: 28.7
Z: 779.3
(O), (o)
X: 490.3
Y: 2,621
Z: 537.2



Front: **(N), (n)** 87 dia.
Rear: **(O), (o)** 61.4 dia.

Suspension link mounting hole

Front suspension member



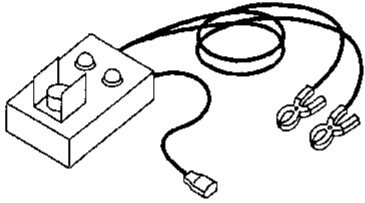
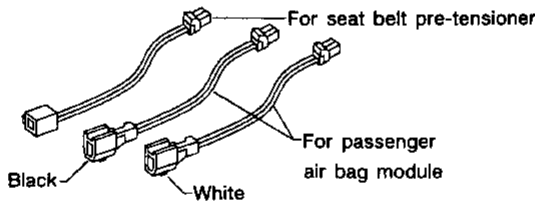
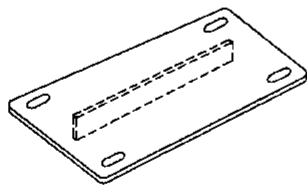
Unit: mm

SUPPLEMENTAL RESTRAINT SYSTEM (SRS)

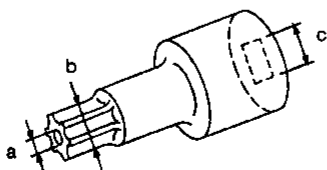
Precautions for SRS "Air Bag" Service

- Do not use a circuit tester to check SRS circuits.
- Before servicing the SRS, turn ignition switch "OFF", disconnect battery ground cable and wait for at least 10 minutes.
For approximately ten minutes after the cables are removed, it is still possible for the air bag to inflate. Therefore, do not work on any air bag system connectors or wires until at least ten minutes have passed.
- Diagnosis sensor unit must always be installed with their arrow marks "←" facing the front of the vehicle for proper operation. Also check diagnosis sensor unit for cracks, deformities or rust before installation and replace as required.
- The spiral cable must be aligned with the neutral position since its rotations are limited. Do not attempt to turn steering wheel or column after removal of steering gear.
- Handle air bag module carefully. Always place it with the pad side facing upward.
- After removing any SRS parts, discard old bolts and replace with new ones. Conduct self-diagnosis to check entire SRS for proper function.
- After air bag inflates, the front instrument panel assembly should be replaced.

Special Service Tools

Tool number (Kent-Moore No.) Tool name	Description	
KV99106400 (J38381) Deployment tool		Disposing of air bag module
NT357		
KV991065S0 (J38381-30) Deployment tool adapters		
NT353		
KV99105300 (J41246) Passenger air bag bracket		Anchor the passenger air bag module
NT354		

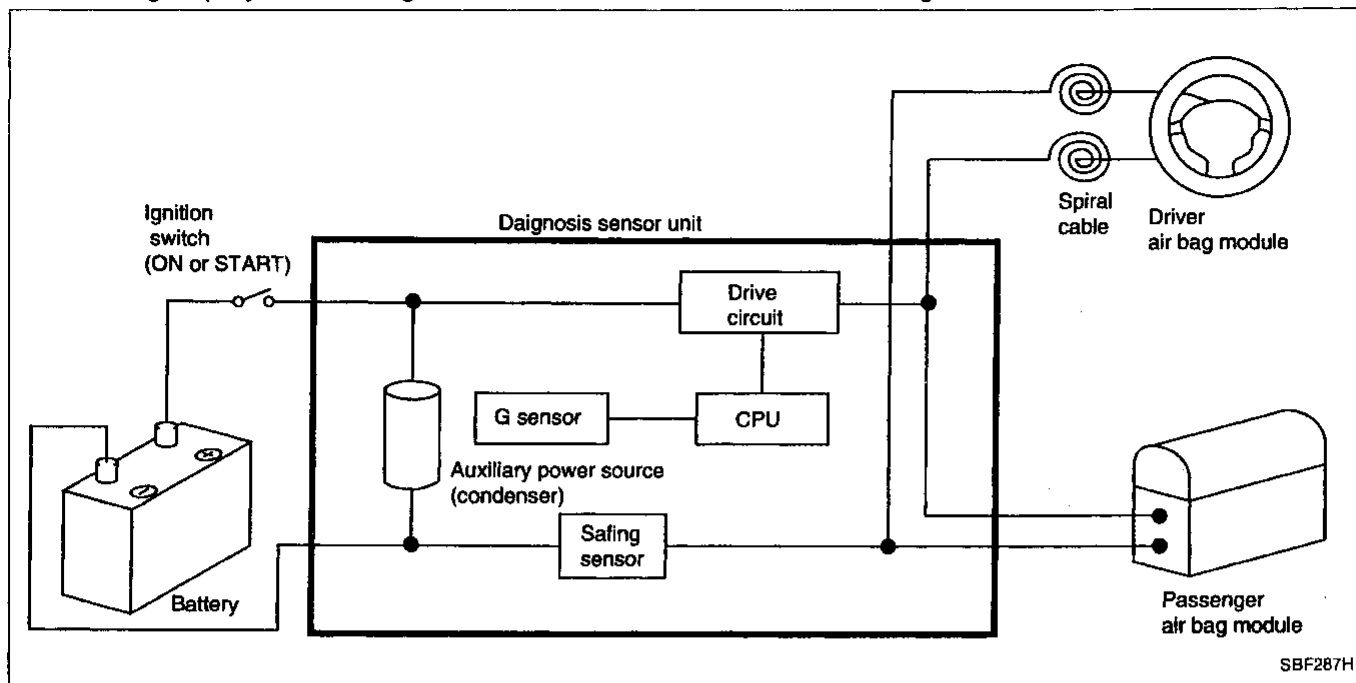
Commercial Service Tool

Tool name	Description	
Special torx bit		Use for special bolts [TAMPER RESISTANT TORX (Size T50)]
NT361		<p>a: 3.5 (0.138) dia. b: 8.5 - 8.6 (0.335 - 0.339) dia. c: approx. 10 (0.39) sq.</p> <p style="text-align: right;">Unit: mm (in)</p>

SUPPLEMENTAL RESTRAINT SYSTEM (SRS)

Description

The air bag deploys if the diagnosis sensor unit activates while the ignition switch is "ON".



On-board self-diagnosis

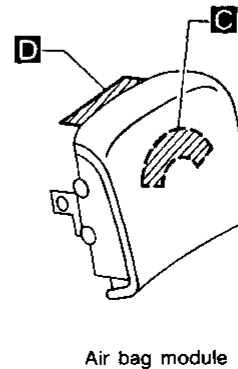
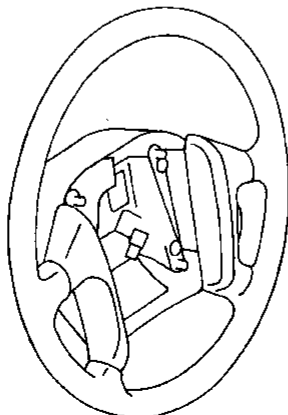
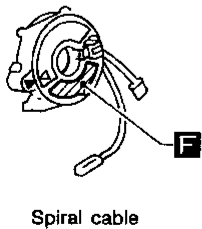
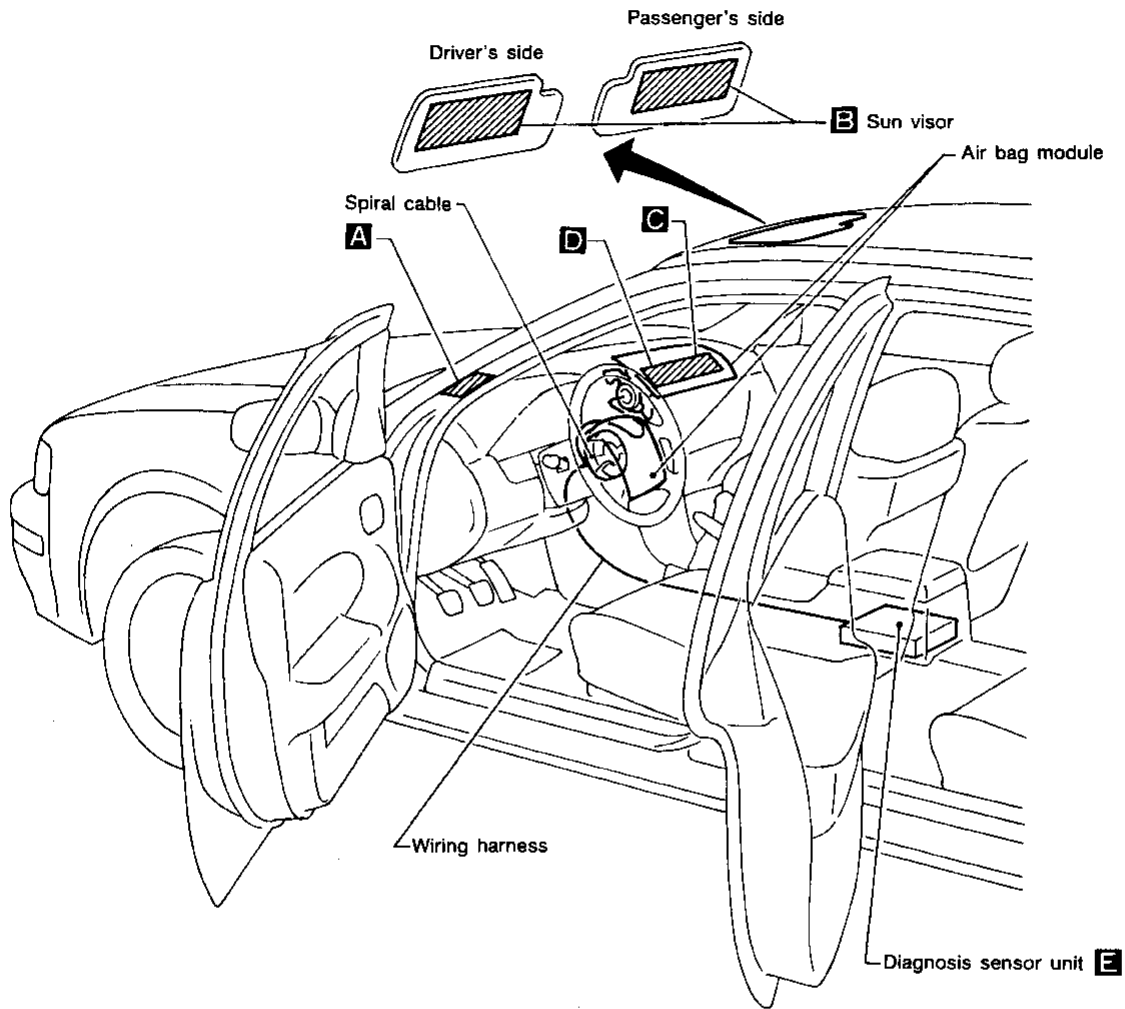
The diagnosis sensor unit diagnoses the SRS circuit. After turning ignition key to "ON" or "START" position, "AIR BAG" and "SEAT BELT" warning lamps illuminate. The "AIR BAG" warning lamp will go out in about 7 seconds if no malfunctions are detected.

SUPPLEMENTAL RESTRAINT SYSTEM (SRS)

SRS Component Parts Location and Caution Labels

The CAUTION LABELS are important when servicing air bags in the field. If they are dirty or damaged, replace them with new ones.

SEC. 253-484-680-964



GI

MA

EM

LC

EC

FE

CL

MT

AT

FA

RA

BR

ST

BF

HA

EL

IDX

SUPPLEMENTAL RESTRAINT SYSTEM (SRS)

Caution Labels

A

SRS AIRBAG

B

CAUTION
TO AVOID SERIOUS INJURY:

- FOR MAXIMUM SAFETY PROTECTION IN ALL TYPES OF CRASHES, YOU MUST ALWAYS WEAR YOUR SAFETY BELT.
- DO NOT INSTALL REARWARD-FACING CHILD SEATS IN ANY FRONT PASSENGER SEAT POSITION.
- DO NOT SIT OR LEAN UNNECESSARILY CLOSE TO THE AIRBAG.
- DO NOT PLACE ANY OBJECTS OVER THE AIRBAG OR BETWEEN THE AIRBAG AND YOURSELF.
- THE SYSTEM MUST BE INSPECTED 10 YEARS AFTER DATE OF MANUFACTURE SHOWN ON THE CERTIFICATION LABEL OR IF THE "AIRBAG" LAMP DOES NOT GO ON DURING IGNITION, FLASHES INTERMITTENTLY, OR REMAINS ON.

SEE THE OWNER'S MANUAL FOR FURTHER INFORMATION AND EXPLANATIONS.

E

WARNING SRS AIRBAG

- NO SERVICEABLE PARTS INSIDE.
- DO NOT DISASSEMBLE OR TAMPER.
- DO NOT DROP: KEEP DRY.
- WHILE REMOVED, STORE IN A CLEAN AND DRY AREA.
- IF WET CONDITION OCCURS, THIS UNIT MUST BE SERVICED.
- DISMANTLING AND INSTALLATION SHOULD ONLY BE PERFORMED BY TRAINED PERSONNEL.

F

CAUTION

SRS AIRBAG

- PLEASE READ THE SERVICE MANUAL BEFORE STEERING WHEEL IS REMOVED.
- ATTENTION: BEFORE ASSEMBLY-
 - ALIGN FRONT WHEELS STRAIGHT AHEAD.
 - TURN LEFT 2.5 REVOLUTIONS FROM THE RIGHT END POSITION
 - END POSITION. ALIGN THE TWO MARKS (▲).
- NO SERVICEABLE PARTS INSIDE. DO NOT DISASSEMBLE OR TAMPER WITH.

C

DANGER

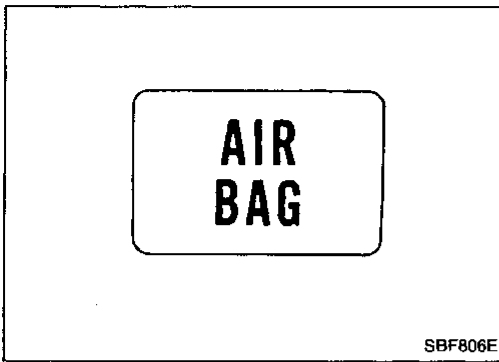
- CONTENTS ARE POISONOUS AND EXTREMELY FLAMMABLE.
- DO NOT DISMANTLE, INCINERATE OR BRING INTO CONTACT WITH ELECTRICITY OR STORE AT TEMPERATURES EXCEEDING 200°F.

D

WARNING

SRS AIRBAG

- THIS AIRBAG MODULE CANNOT BE REPAIRED. SEE SERVICE MANUAL FOR INSTRUCTIONS (ON DIAGNOSIS AND REPLACEMENT).
- DO NOT DIAGNOSE USING ELECTRICALLY POWERED TEST EQUIPMENT OR PROBING DEVICES.
- TAMPERING OR MISHANDLING CAN RESULT IN PERSONAL INJURY.
- STORE THE REMOVED AIRBAG MODULE WITH THE PAD OR COVER SURFACE UP. (REFER TO SERVICE MANUAL FOR SPECIAL HANDLING OR STORAGE.)



Maintenance Items

1. Check "AIR BAG" warning lamp
After turning ignition key to "ON" or "START" position, "AIR BAG" warning lamp illuminates. The "AIR BAG" warning lamp will go out in about 7 seconds if no malfunctions are detected.

When a warning lamp flashes, check and correct cause of the problem.

2. Visually check SRS components
 - (1) Diagnosis sensor unit — Airbag
 - Check case and bracket for dents, cracks or deformities.
 - Check connectors for damage, and terminals for deformities.
 - (2) Main harness and instrument harness
 - Check connectors for poor connections.
 - Check harnesses for binds, connectors for damage, and terminals deformities.
 - (3) Spiral cable
 - Visually check lock (engagement) pins and combination switch for damage.
 - Check connectors, flat cable and protective tape for damage.
 - Check steering wheel for noise, binds or difficult operation.
 - (4) Steering wheel
 - Check harness (built into steering wheel) and connectors for damage, and terminals for deformities.
 - Install air bag module to check fit or alignment with steering wheel.
 - Check steering wheel for excessive free play.
 - (5) Air bag module
 - Remove air bag module from steering wheel.
Check harness cover and connectors for damage, terminals for deformities, and harness for binds.
 - Install air bag module to steering wheel to check fit or alignment with the wheel.

CAUTION:

Replace previously used screws with new ones.

GI

MA

EM

LC

EC

FE

CL

MT

AT

FA

RA

BR

ST

BF

HA

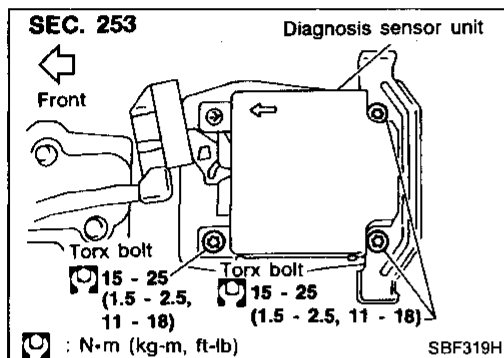
EL

IDX

Removal and Installation — Diagnosis Sensor Unit

CAUTION:

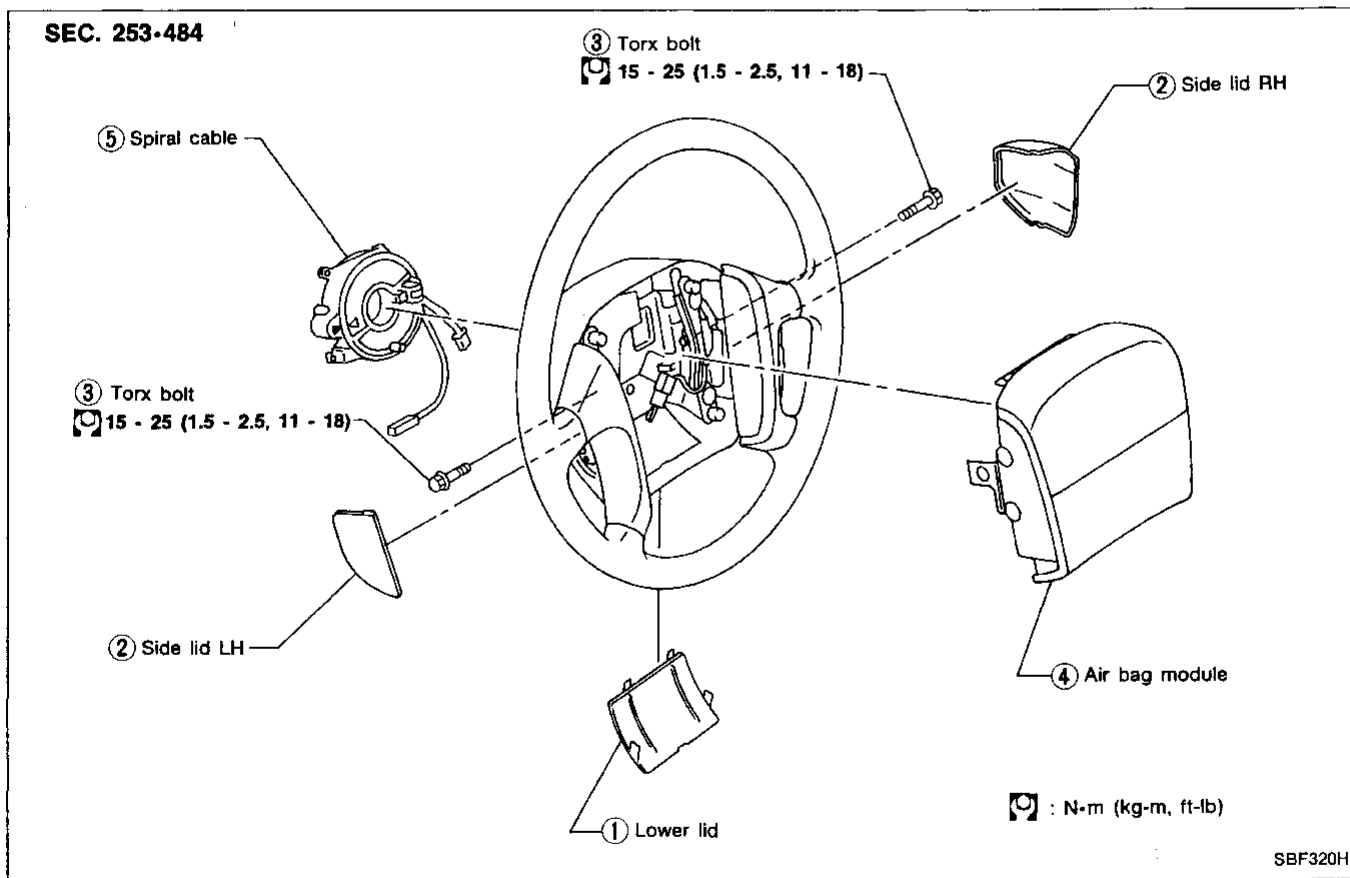
- Before servicing SRS, turn the ignition switch off, disconnect battery ground cable and wait for at least 10 minutes.
- The special bolts are coated with bonding agent. Discard old ones after removal; replace with new ones.
- Check diagnosis sensor unit for proper installation.
- Check diagnosis sensor unit to ensure they are free of deformities, dents, cracks or rust. If they show any visible signs of damage, replace them with new ones.
- Check diagnosis sensor unit brackets to ensure they are free of deformities or rust.



REMOVAL — Diagnosis sensor unit

1. Remove console box (Refer to "INSTRUMENT PANEL" for details, BF-13).
2. Disconnect diagnosis sensor unit connector.
3. Remove the three torx bolts and screw securing diagnosis sensor unit.
4. Remove diagnosis sensor unit.

Removal — Air Bag Module and Spiral Cable



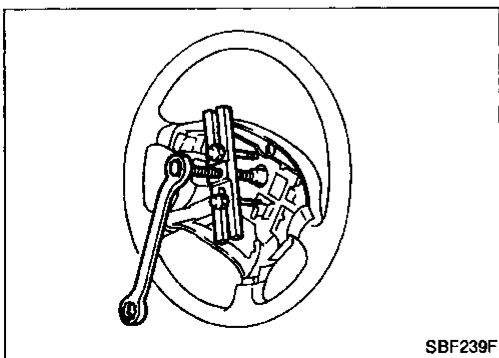
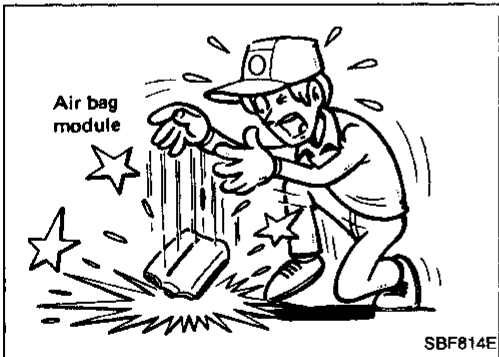
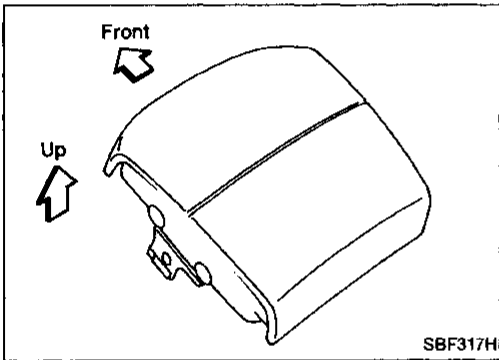
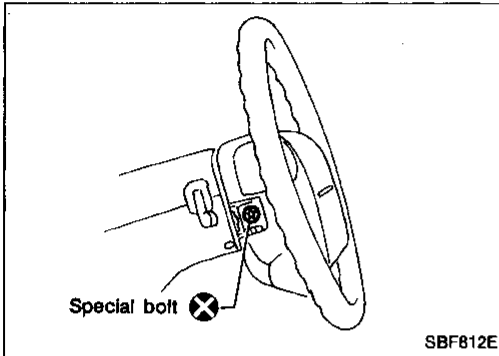
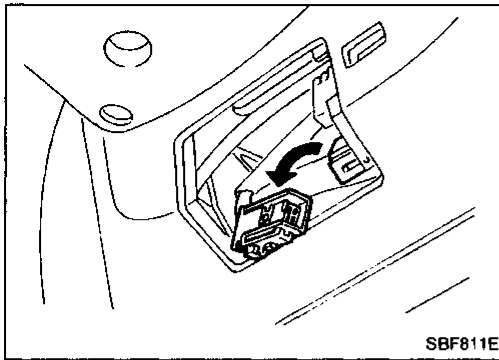
SUPPLEMENTAL RESTRAINT SYSTEM (SRS)

Removal — Air Bag Module and Spiral Cable (Cont'd)

CAUTION:

Before servicing SRS, turn the ignition switch off, disconnect battery ground cable and wait for at least 10 minutes.

1. Remove lower lid from steering wheel, and disconnect air bag module connector.



2. Remove side lid. Using the TAMPER RESISTANT TORX (Size T50) remove left and right special bolts. Air bag module can then be removed.

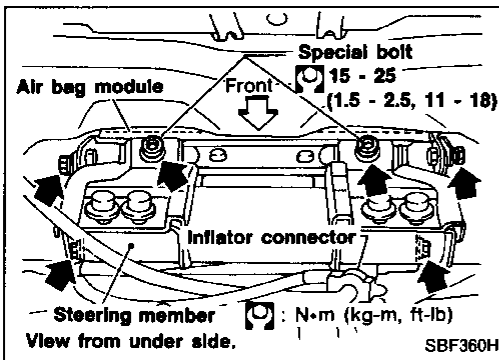
CAUTION:

- Always place air bag module with pad side facing upward.
- Do not attempt to disassemble air bag module.
- The special bolts are coated with bonding agent. Discard old ones after removal; replace with new ones.

- Do not drop or impact air bag module. If any portion is deformed or cracked, replace the module.
- Do not expose the air bag module to temperatures exceeding 93°C (200°F).
- Do not allow oil, grease or water to come in contact with the air bag module.

3. Set steering wheel in the neutral position.
4. Disconnect horn connector and remove nuts.
5. Using steering wheel puller, remove steering wheel. Be careful not to over-tighten puller bolt on steering wheel.
6. Remove steering column cover.
7. Disconnect connector and remove the four screws. The spiral cable can then be removed.

SUPPLEMENTAL RESTRAINT SYSTEM (SRS)

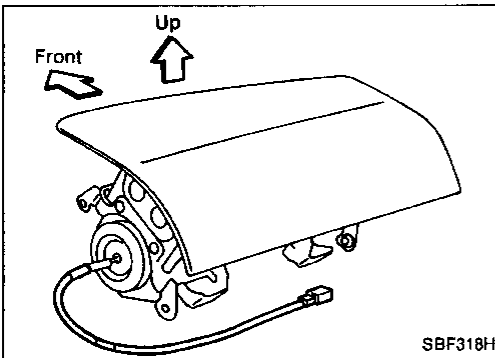


Removal — Front Passenger Air Bag Module

CAUTION:

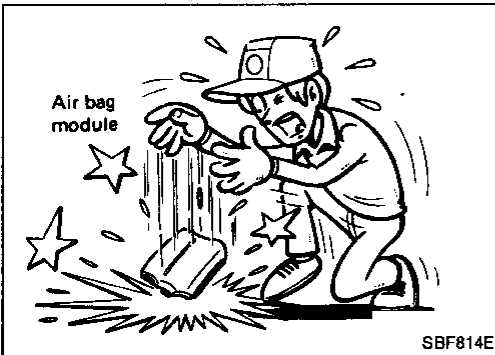
Before servicing SRS, turn the ignition switch off, disconnect battery ground cable and wait for at least 10 minutes.

1. Remove glove box and glove box inner cover.
 2. Disconnect inflator connector from body harness air bag connector.
 3. Remove intake unit of air conditioner.
 4. Remove the bolts and special bolts of front passenger air bag module indicated by arrow marks as shown. Take out the air bag module from the instrument panel.
- Air bag module is heavy and should be supported using both hands during removal.



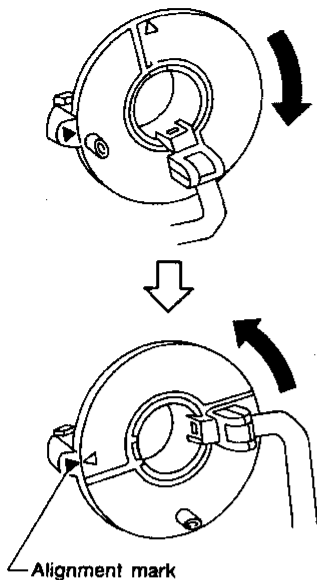
CAUTION:

- Always place air bag module with pad side facing upward.
- Do not attempt to disassemble air bag module.
- The special bolts are coated with bonding agent. Discard old ones after removal; replace with new ones.

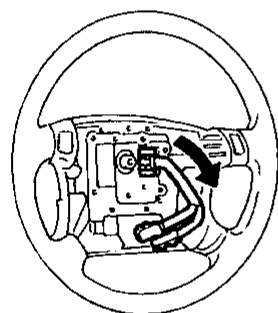


- Do not drop or impact air bag module. If any portion is deformed or cracked, replace the module.
- Do not expose the air bag module to temperatures exceeding 93°C (200°F).
- Do not allow oil, grease or water to come in contact with the air bag module.

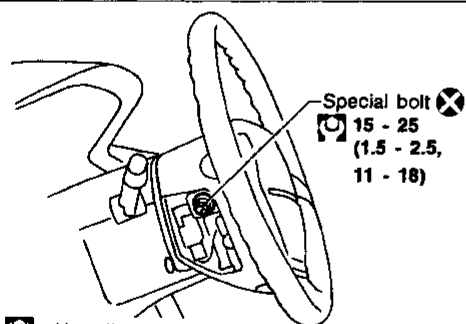
SEC. 253



MBF487B



SBF818E



MBF489B

Installation — Air Bag Module and Spiral Cable

1. Set the front wheels in the straight-ahead position.
2. Make sure that the spiral cable is in the neutral position. The neutral position is detected by turning left 2.5 revolutions from the right end position. Align the two marks (X).

CAUTION:

- The spiral cable may snap due to steering operation if the cable is installed in an improper position. Also, with the steering linkage disconnected, the cable may snap by turning the steering wheel beyond the limited number of turns. (The spiral cable can be turned up to 2.5 turns from the neutral position to both the right and left.)

3. Connect spiral cable connector and tighten with screws. Install steering column cover.

4. Install steering wheel setting spiral cable pin guides, and pull spiral cable through.
5. Connect horn connector and engage spiral cable with pawls in steering wheel.
6. Tighten nuts.

7. Position air bag module and tighten with new special bolts.
8. Connect air bag module connector.
9. Install all lids.

10. Conduct self-diagnosis to ensure entire SRS operates properly. (Use CONSULT or warning lamp check.)

GI

MA

EM

LC

EC

FE

CL

MT

AT

FA

RA

BR

ST

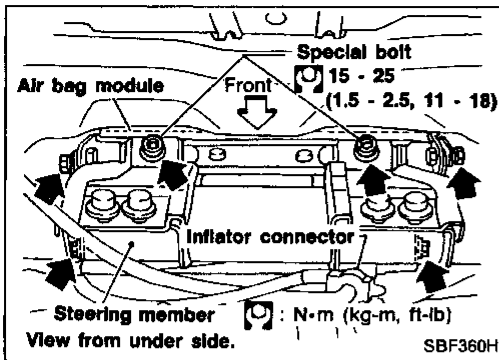
BF

HA

EL

IDX

SUPPLEMENTAL RESTRAINT SYSTEM (SRS)

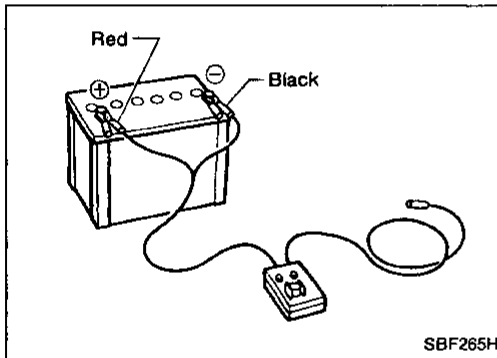


Installation — Front Passenger Air Bag Module

1. Install front passenger air bag module on steering member.
- Ensure harness is not caught between rear of air bag module and steering member.
2. Install intake unit of air conditioner.
3. Connect air bag module connector to body harness connector.
4. Install glove box inner cover and glove box.

Disposal of Air Bag Module

- Before disposing of air bag module, or vehicles equipped with such systems, deploy the systems. If such systems have already been deployed due to an accident, dispose of as indicated in "DISPOSING OF AIR BAG MODULE".
- When deploying the air bag module, always use the Special Service Tool; Deployment tool KV99106400 (Kent-Moore No. J38381).
- When deploying the air bag module, stand at least 5 m (16 ft) away from the deployment component.
- Due to heat, leave air bag module unattended for more than 30 minutes after deployment.
- Be sure to wear gloves when handling a deployed air bag module.
- Never apply water to a deployed air bag module.
- Wash your hands clean after finishing work.



CHECKING DEPLOYMENT TOOL

Connecting to battery

- Place the vehicle outdoors with an open space of at least 6 m (20 ft) on all sides.
- Use a voltmeter to make sure the vehicle battery is fully charged.

CAUTION:

The battery must show voltage of 9.6V or more.

Remove the battery from the vehicle and place it on dry wood blocks approximately 5 m (16 ft) away from the vehicle.

- Wait 10 to 12 minutes after the vehicle battery is disconnected before proceeding.
- Connect red clip of deployment tool to battery positive terminal and black clip to negative terminal.

CAUTION:

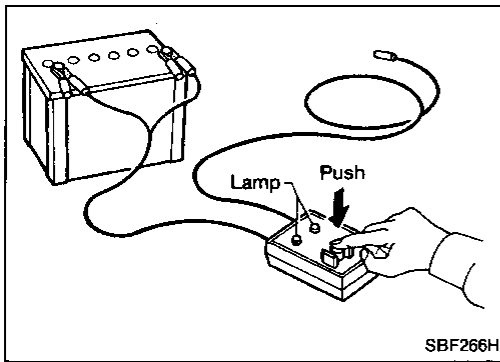
Make sure the polarity is correct. The right side lamp in the tool, marked "deployment tool power", should glow with a green light. If the right side lamp glows red, reverse the connections to the battery.

SUPPLEMENTAL RESTRAINT SYSTEM (SRS)

Disposal of Air Bag Module (Cont'd)

Deployment tool check

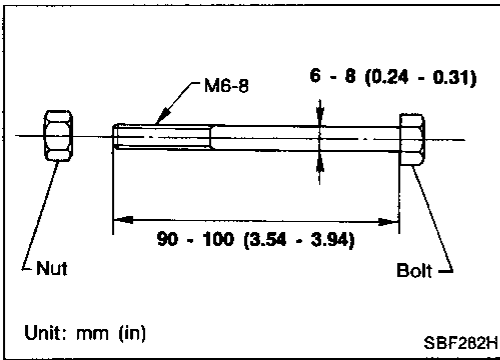
Press the deployment tool switch to the "ON" position. The left side lamp in the tool, marked "air bag connector voltage" should illuminate. If it does not illuminate, replace the tool.



Air bag deployment tool lamp illumination chart (Battery connected)

Switch operation	Left side lamp, green* "AIR BAG CONNEC- TOR VOLTAGE"	Right side lamp, green* "DEPLOYMENT TOOL POWER"
OFF	OFF	ON
ON	ON	ON

*: If this lamp glows red, the tool is connected to the battery incorrectly. Reverse the connections and make sure the lamp glows green.



DEPLOYMENT PROCEDURES FOR AIR BAG MODULE AS A UNIT

Deploying air bag modules while they are mounted in vehicle may damage vehicle. Deploy air bag module as a unit except when disposing of vehicle.

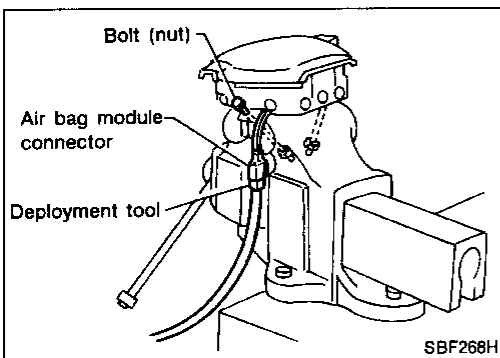
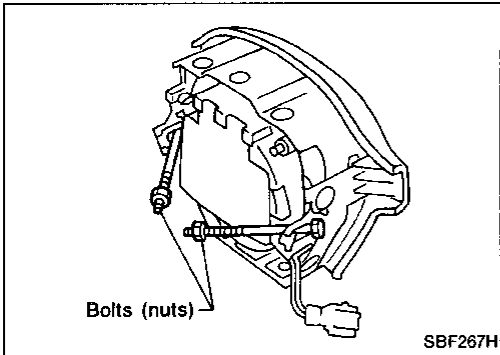
Anchor air bag module in a vise secured to a firm foundation during deployment.

Deployment of driver's air bag module as a unit

1. Prepare two sets of nuts and bolts (see figure at left). These bolts are required to secure driver's air bag module to the vise.
2. Install one set of nuts and bolts to each side of the air bag module.

CAUTION:

Make sure to install two bolts and nuts on each side.



3. Firmly place two nuts (secured to air bag module) in the vise.

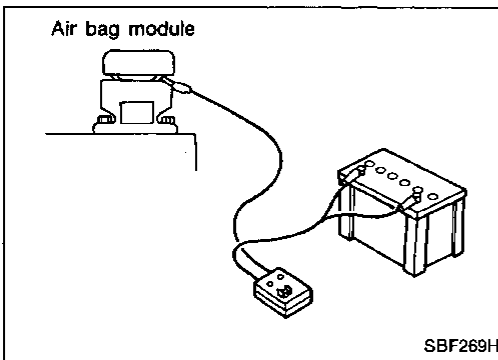
CAUTION:

Ensure these two nuts are equally placed in the vise. Never finish the installation with just one nut.

4. Connect deployment tool (SST: KV99106400) to air bag module connector.

SUPPLEMENTAL RESTRAINT SYSTEM (SRS)

Disposal of Air Bag Module (Cont'd)

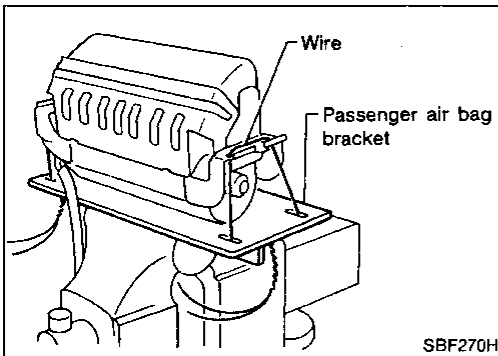


5. Connect red clip of deployment tool to battery positive terminal and black clip to negative terminal.
6. The lamp on the right side of the tool, marked "deployment tool power", should glow green, not red.
7. Press the button on the deployment tool. The left side lamp on the tool, marked "air bag connector voltage", will illuminate and the air bag module will deploy.

CAUTION:

When deploying the air bag module, stand at least 5 m (16 ft) away from the air bag module.

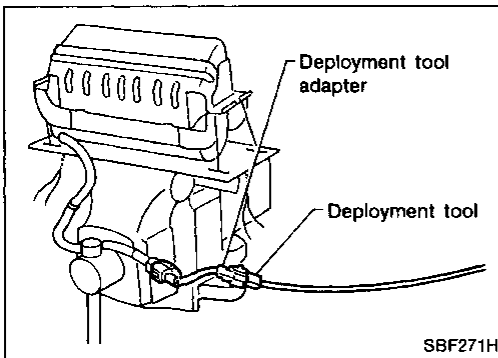
Deployment of passenger air bag module as a unit



1. Using wire, secure air bag module to passenger air bag bracket (SST: KV99105300) at two places.

CAUTION:

Use wire of at least 1 mm (0.04 in) in diameter.



2. Firmly anchor passenger air bag bracket in a vise.
3. Connect deployment tool adapter (SST: KV991065S0) to deployment tool (SST: KV99106400) connector and connector on either side of air bag module.
4. Connect red clip of deployment tool to battery positive terminal and black clip to negative terminal.
5. The lamp on the right side of the tool, marked "deployment tool power", should glow green, not red.
6. Press the button on the deployment tool. The left side lamp on the tool, marked "air bag connector voltage", will illuminate and the air bag module will deploy.

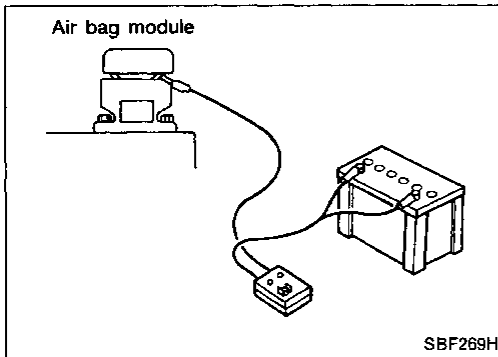
CAUTION:

When deploying the air bag module, stand at least 5 m (16 ft) away from the air bag module.

7. Activate the other inflator.

CAUTION:

Always activate one inflator at a time.



SUPPLEMENTAL RESTRAINT SYSTEM (SRS)

Disposal of Air Bag Module (Cont'd)

DEPLOYMENT OF AIR BAG MODULE WHILE MOUNTED IN VEHICLE

When disposing of a vehicle, deploy air bag module while they are mounted in vehicle.

CAUTION:

When deploying air bag module, ensure vehicle is empty.

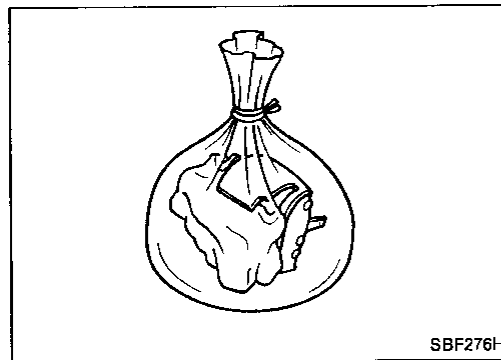
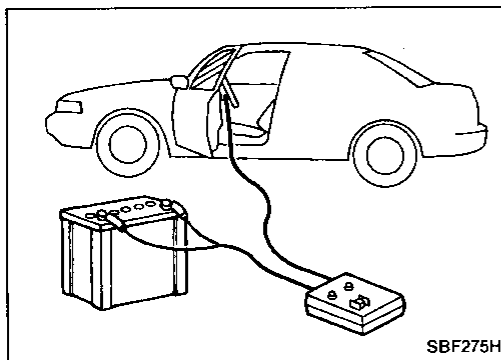
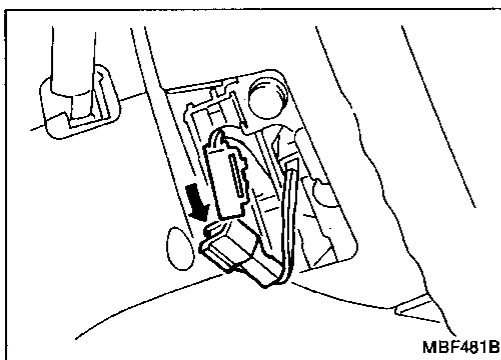
1. Disconnect the vehicle battery ground cable and wait 10 minutes.
2. Disconnect air bag module connector.
3. Connect deployment tool connector (SST: KV99106400) to air bag module.

For front passenger air bag module, attach deployment tool adapters (SST: KV991065S0) to the tool connector.

4. Connect red clip of deployment tool to battery positive terminal and black clip to negative terminal.
5. The lamp on the right side of the tool, marked "deployment tool power", should glow green, not red.
6. Press the button on the deployment tool. The left side lamp on the tool, marked "air bag connector voltage", will illuminate and the air bag module will deploy.
7. After deployment, remove them from vehicle and seal them up in plastic bags, then dispose of them.

CAUTION:

Activate only one passenger air bag module inflator at a time.



DISPOSING OF AIR BAG MODULE

Deployed air bag modules are very hot. Before disposing of air bag module, wait at least 30 minutes. Seal them in a vinyl bag before disposal.

CAUTION:

- Never apply water to a deployed air bag module.
- Be sure to wear gloves when handling a deployed air bag module.
- No poisonous gas is produced upon air bag module deployment. However, be careful not to inhale gas since it irritates throat and can cause choking.
- Do not attempt to disassemble air bag module.
- Air bag module can not be re-used.
- Wash your hands clean after finishing work.

GI

MA

EM

LC

EC

FE

CL

WT

AT

FA

RA

BR

ST

BF

HA

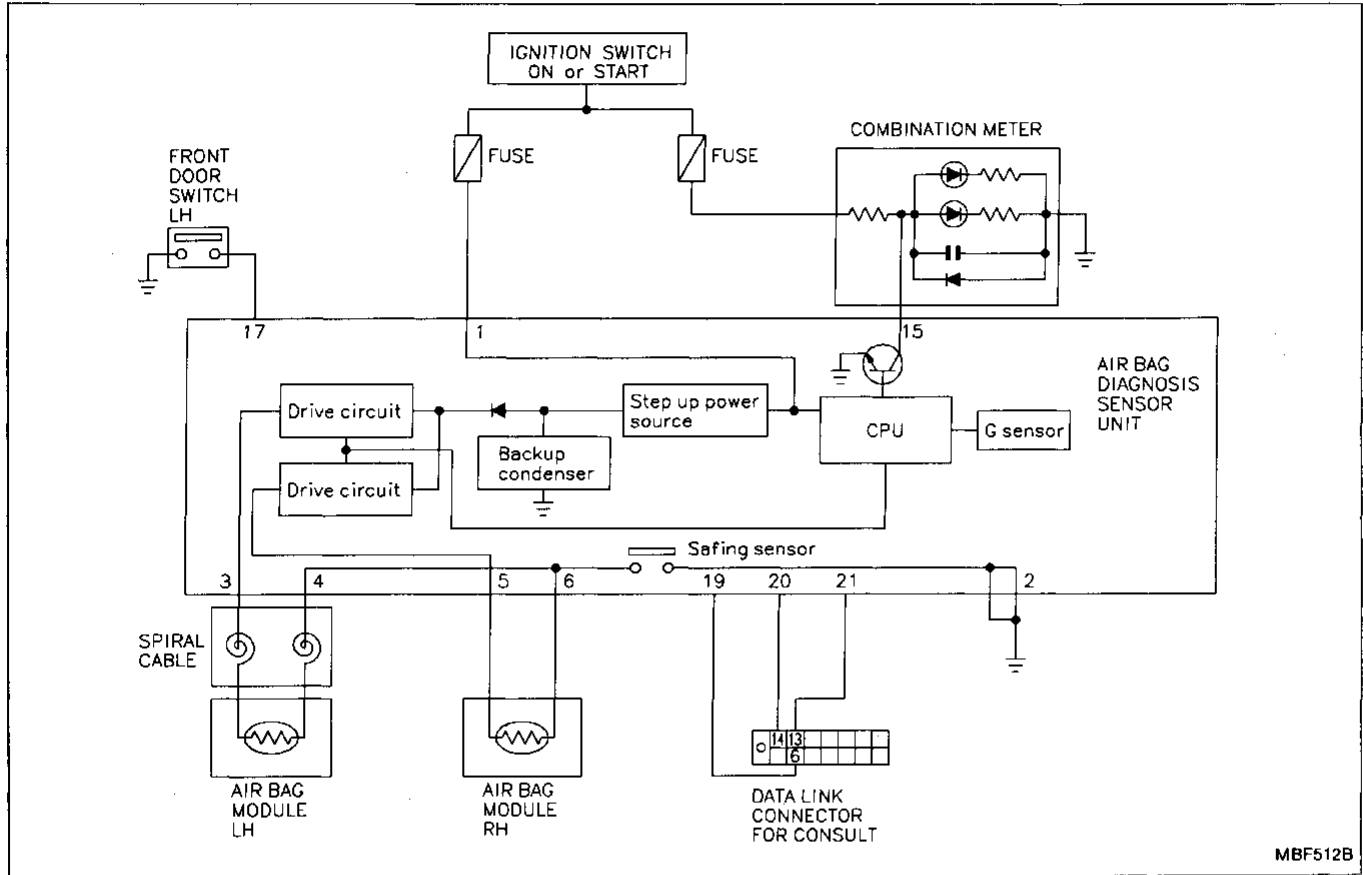
EL

IDX

Schematic

CAUTION:

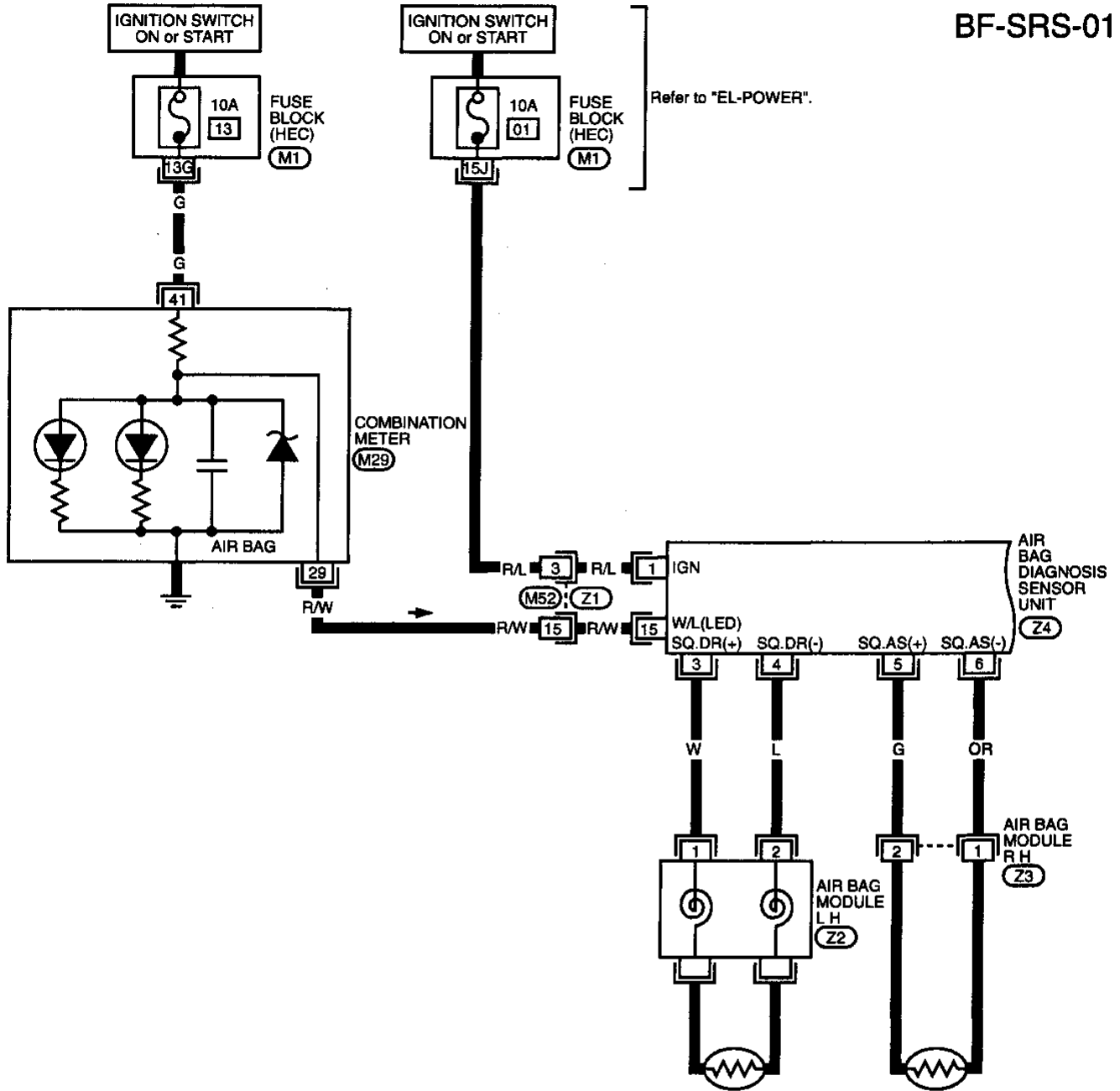
- Do not use a circuit tester to check SRS "Air Bag" harness connectors. The wiring harness and connectors have yellow outer insulation for easy identification.
- Do not attempt to repair, splice or modify the SRS "Air Bag" wiring harness. If the harness is damaged, replace it with a new one.
- Keep ground portion clean.



MBF512B

Wiring Diagram — SRS —

BF-SRS-01



GI
MA
EM
LC
EC
FE
CL
MT
AT
FA
RA
BR
ST
BF



Refer to last page (Foldout page).

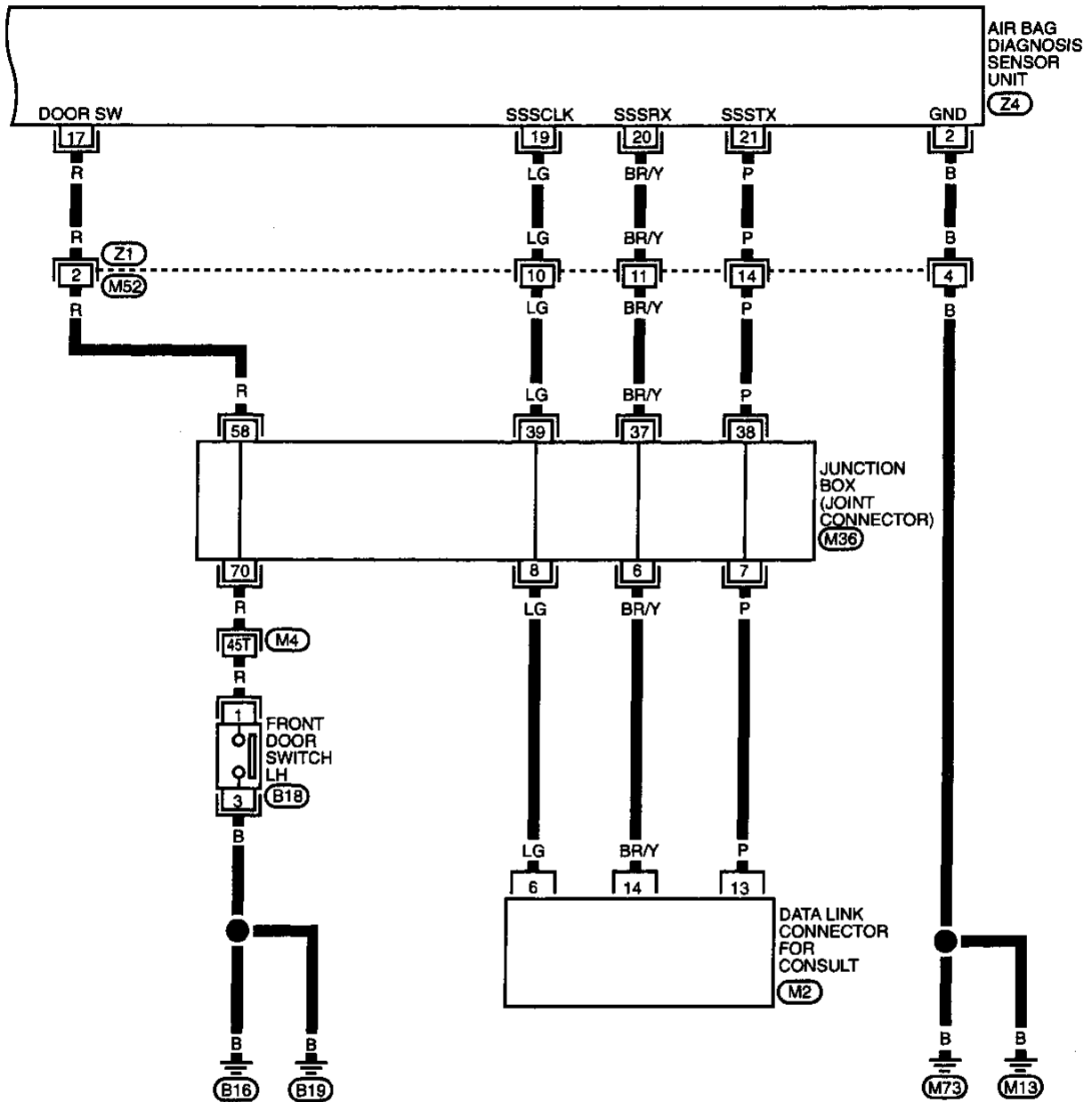
M1

HA
EL
IDX

TROUBLE DIAGNOSES — Supplemental Restraint System (SRS)

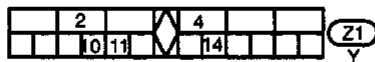
Wiring Diagram — SRS — (Cont'd)

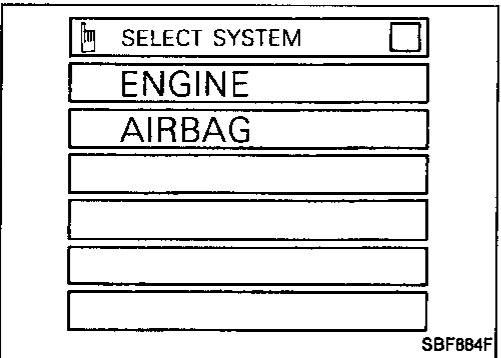
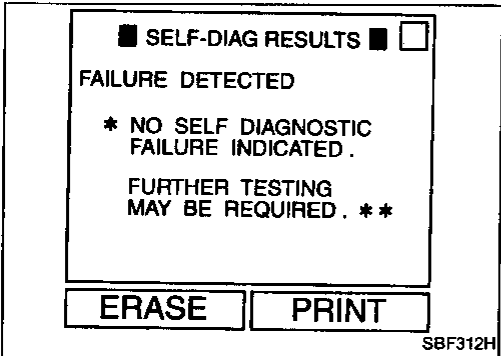
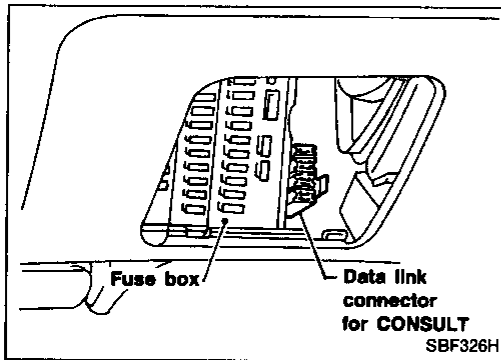
BF-SRS-02



Refer to last page (Foldout page).

- (M4)
- (M36)





Self-diagnosis

USING CONSULT

Operation procedure

The self-diagnosis results can be read by CONSULT, as follows:

1. Connect "CONSULT" to vehicle harness connector.
2. Turn ignition switch to "ON". (When CONSULT is connected, the "AIR BAG" warning lamp will be turned to present diagnosis mode.)
3. Touch "START" to operate "CONSULT".
4. Touch "AIR BAG" to choose air bag system.
5. Touch "SELF DIAG RESULTS" to read self-diagnosis results.
6. Problem codes are displayed on "SELF DIAG RESULTS".
7. When "PRINT" is pressed, information displayed on "SELF DIAG RESULTS" is printed out.

WARNING:

- While CONSULT is displaying this "SELF-DIAG RESULT" information, do not disconnect CONSULT from data link connector.
- When finishing diagnosis, make sure to change CONSULT display to SELECT SYSTEM mode by using BACK KEY.

8. After repairing malfunctioning parts, press "ERASE" to clear self-diagnosis results.
- "ERASE" function requires selecting "ERASE", and completing step 9.

9. Push Back Key of CONSULT until SELECT SYSTEM mode appears to make "SELF-DIAGNOSIS" user mode.

- If malfunctioning parts are not completely repaired, "AIR BAG" warning lamp will blink every 0.5 seconds.

10. Push the power off switch.
11. Turn off ignition switch, disconnect CONSULT.
12. Turn ignition switch to "ON".
"AIR BAG" warning lamp should come on for about 7 seconds and then go off.

GI
MA
EM
LC
EC
FE
CL
MT
AT
FA
RA
BR
ST
BF
HA
EL
IDX

TROUBLE DIAGNOSES — Supplemental Restraint System (SRS)

Self-diagnosis (Cont'd)

Self-diagnosis results

Diagnostic item	Explanation	Repair order * Recheck SRS system at each replacement.
NO SELF DIAGNOSTIC FAILURE INDICATED.	Normal. The SRS system is in good order.	—
AIRBAG MODULE [OPEN]	The circuit for driver's air bag module is open. (including the spiral cable)	<ol style="list-style-type: none"> 1. Visually check the wiring harness connections. 2. Replace the spiral cable. 3. Replace driver's air bag module. (Before disposing of it, it must be deployed.) 4. Replace the diagnosis sensor unit. 5. Replace the air bag harness. 6. Replace the main harness.
AIRBAG MODULE [VB-SHORT]	The circuit for driver's air bag module is shorted to some power supply circuit. (including the spiral cable)	
AIRBAG MODULE [GND-SHORT]	The circuit for driver's air bag module is shorted to ground. (including the spiral cable)	
AIRBAG MODULE [SHORT]	The circuits for driver's air bag module are shorted to each other.	
ASSIST A/B MODULE [OPEN]	The circuit for front passenger air bag module is open.	<ol style="list-style-type: none"> 1. Visually check the wiring harness connections. 2. Replace front passenger air bag module. (Before disposing of it, it must be deployed.) 3. Replace the diagnosis sensor unit. 4. Replace the air bag harness. 5. Replace the main harness.
ASSIST A/B MODULE [VB-SHORT]	The circuit for front passenger air bag module is shorted to some power supply circuit.	
ASSIST A/B MODULE [GND-SHORT]	The circuit for front passenger air bag module is shorted to ground.	
ASSIST A/B MODULE [SHORT]	The circuits for front passenger air bag module are shorted to each other.	
CONTROL UNIT	The diagnosis sensor unit is out of order.	<ol style="list-style-type: none"> 1. Visually check the wiring harness connections. 2. Replace the diagnosis sensor unit. 3. Replace the air bag harness. 4. Replace the main harness.
INDEFINITE FAILURES [AIR BAG]	A problem which cannot be specified occurs because more than two parts are out of order.	<ol style="list-style-type: none"> 1. Visually check the wiring harness connections. 2. Replace the diagnosis sensor unit. 3. Replace spiral cable and air bag modules. 4. Replace the air bag harness. 5. Replace the main harness.

TROUBLE DIAGNOSES — Supplemental Restraint System (SRS)

Self-diagnosis (Cont'd)

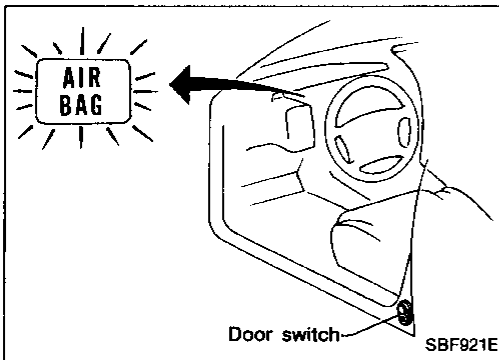
USING THE WARNING LAMP

Self-diagnosis results can be also read by using the "AIR BAG" warning lamp for SRS system.

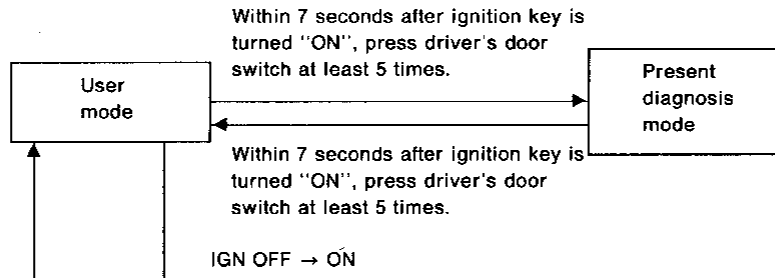
The "Air bag" warning lamp operates as shown below:

WARNING:

When the "AIR BAG" warning lamp is blinking, compare the flash time to the chart below.



How to alternate self-diagnosis



Problem codes are displayed in present diagnosis mode (self-diagnosis results).

Warning lamp indication

After the malfunctioning parts have been repaired, return the system to the user mode. This will clear the present diagnosis mode information displayed as self-diagnosis results.

- After repairing malfunctioning part, attempt to clear self-diagnosis results from memory.
- If a malfunctioning part is not completely repaired, information stored in memory will not be cleared.

User mode		
<p>① Normal (OFF)</p> <p>IGN ON ON OFF 7 sec.</p> <p style="text-align: right;">SBF298H</p>	No problem.	RA BR ST
<p>② Malfunction (blinking)</p> <p>ON OFF 0.5 sec. 0.5 sec.</p> <p style="text-align: right;">SBF299HA</p>	The system has problem. Perform self-diagnosis with "Present diagnosis mode".	BF HA EL
<p>③ Air bag is deployed or diagnosis sensor unit is malfunctioning and continuously sends an "ON" signal.</p> <p>ON OFF</p> <p style="text-align: right;">SBF284HA</p>	The system needs to be repaired.	DX

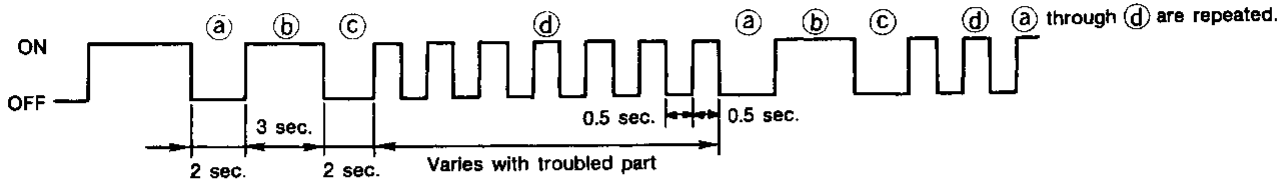
TROUBLE DIAGNOSES — Supplemental Restraint System (SRS)

Self-diagnosis (Cont'd)

Present diagnosis mode (Self-diagnosis result)

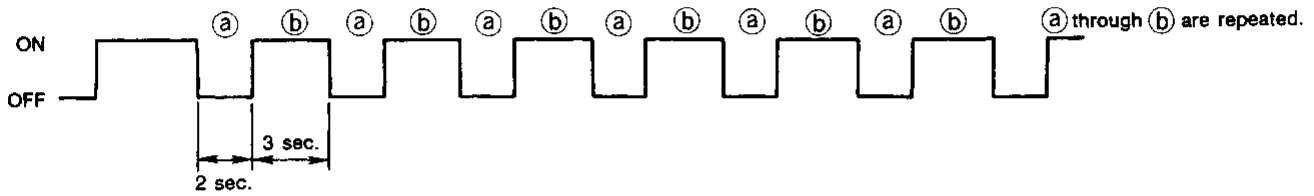
- Indicate malfunctioning part — The system needs to be repaired.

ⓑ Start signal; Start signal identifies display modes.



SBF300H

- No malfunctioning (or intermittent trouble/repair completion)



SBF285H

WARNING:

- After the malfunctioning parts have been repaired, return the system to "User mode".

Self-diagnosis results in present mode can be identified by number of flashes ⓓ. Refer to Table on next page for troubled parts.

TROUBLE DIAGNOSES — Supplemental Restraint System (SRS)

Self-diagnosis (Cont'd)

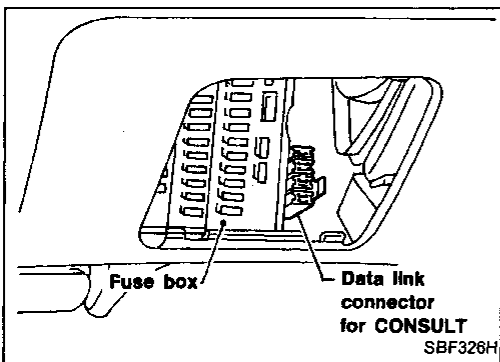
Warning lamp flashing times and repair

Warning lamp	Flash code ④ (# of flashes)	Explanation	Repair order * Recheck "AIR BAG" warning lamp at each replacement.	
"AIR BAG" warning lamp	0	Normal. The SRS "Air Bag" is in good order.	—	GI
	2	The circuit for the driver's air bag module is out of order.	<ol style="list-style-type: none"> 1. Visually check the wiring harness connections. 2. Replace the spiral cable. 3. Replace the driver's air bag module. (Before disposing of it, it must be deployed.) 4. Replace the diagnosis sensor unit. 5. Replace the air bag harness. 6. Replace the main harness. 	MA EM LC EC
	7	The diagnosis sensor unit is out of order.	<ol style="list-style-type: none"> 1. Visually check the wiring harness connections. 2. Replace the diagnosis sensor unit. 3. Replace the air bag harness. 4. Replace the main harness. 	FE CL
	8	The circuit for the front passenger air bag module is out of order.	<ol style="list-style-type: none"> 1. Visually check the wiring harness connections. 2. Replace the front passenger air bag module. (Before disposing of it, it must be deployed.) 3. Replace the diagnosis sensor unit. 4. Replace the air bag harness. 5. Replace the main harness. 	MT AT FA
	9	More than two parts groups are out of order.	<ol style="list-style-type: none"> 1. Visually check the wiring harness connections. 2. Replace the diagnosis sensor unit. 3. Replace spiral cable and air bag module. 4. Replace the air bag harness. 5. Replace the main harness. 	RA BR ST

HA

EL

IDX



Diagnostic Procedure 1

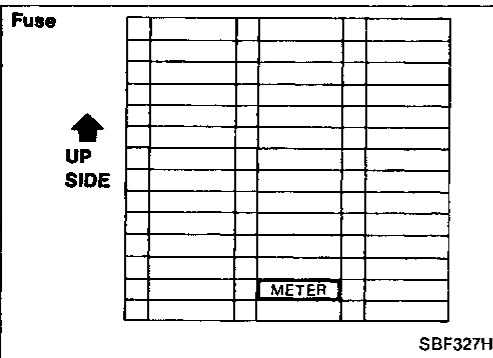
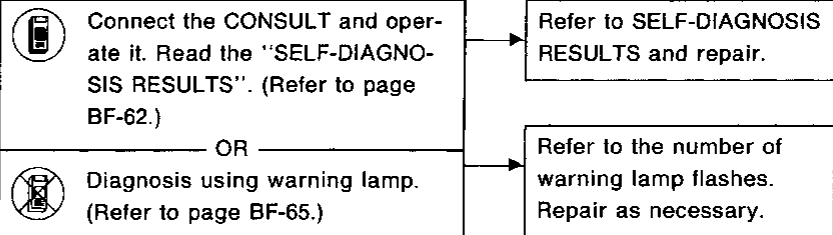
SYMPTOM: Warning lamp flashes.

WARNING:

Determine if the flash rate is every 0.5 seconds, or 3 seconds "ON" and 2 seconds "OFF".

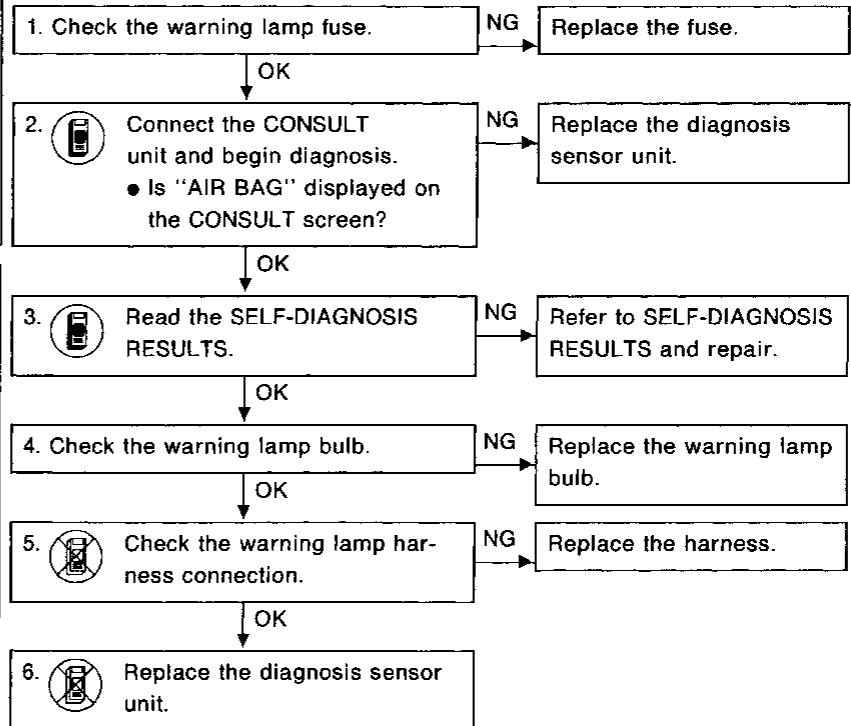
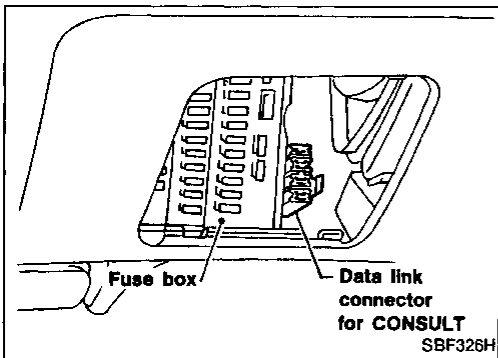
If every 0.5 seconds, perform self-diagnosis.

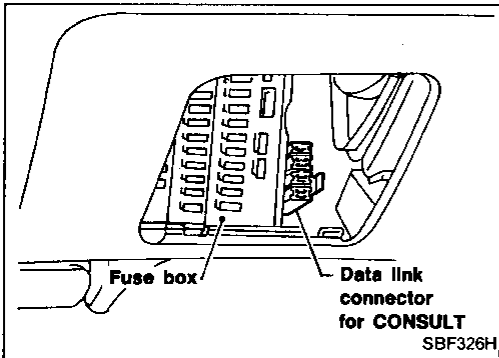
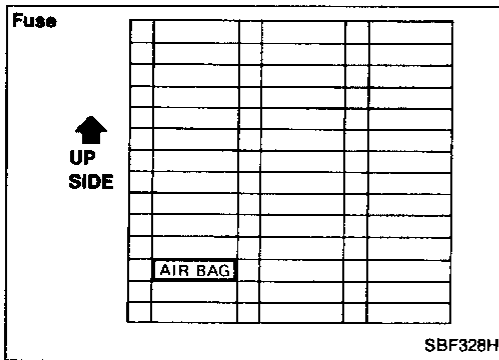
If 3 seconds "ON" and 2 seconds "OFF", the system is in Present diagnosis mode, refer to page BF-64 for instructions.



Diagnostic Procedure 2

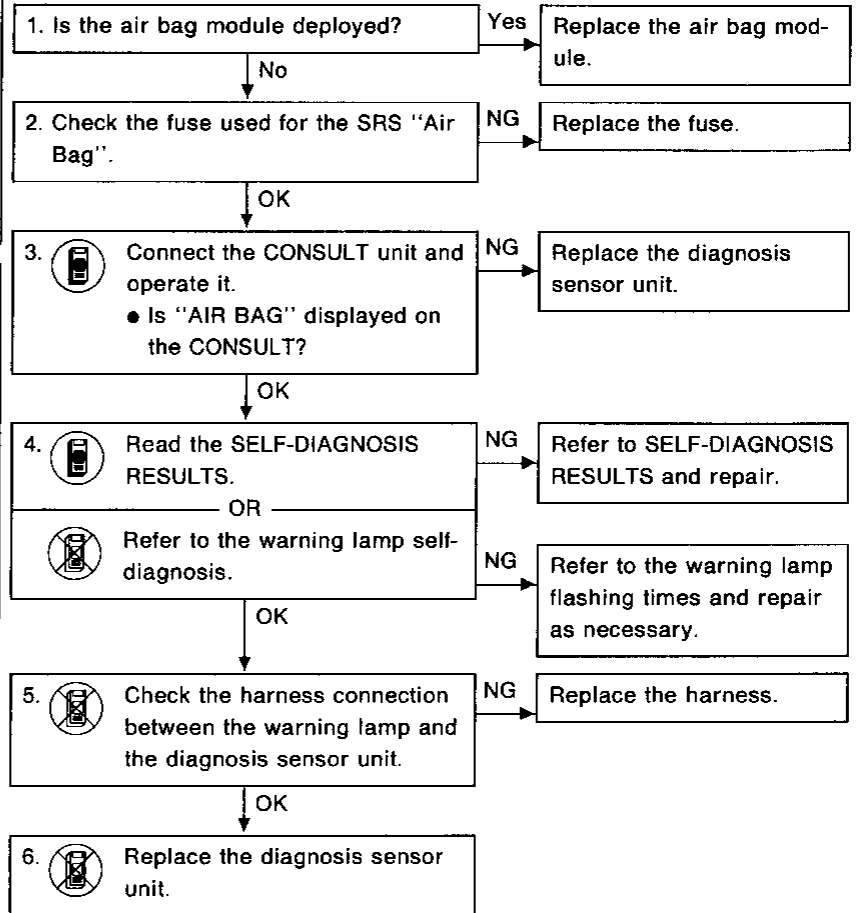
SYMPTOM: Warning lamp does not come on.





Diagnostic Procedure 3

SYMPTOM: Warning lamp does not go off.



GI
MA
EM
LC
EC
FE
CL
MT
AT
FA
RA
BR
ST
BF
HA
EL
IDX

Collision Diagnosis

To repair the SRS "AIR BAG", perform the following steps.

When air bag deploys in a collision:

- ① Replace the diagnosis sensor unit.
- ② Remove the air bag modules.
- ③ Check the SRS components using the table shown below:
 - If any damage is visible (such as dents, cracks or deformation), replace the damaged component.
- ④ Conduct self-diagnosis using CONSULT or "AIR BAG" warning lamp. Open circuits of air bag module will appear as problem codes. Ensure the remainder of the SRS is operating properly.
- ⑤ Install new air bag modules.
- ⑥ Conduct self-diagnosis again.

When air bag does not deploy in a collision:

- ① Check the SRS components using the table shown below:
 - If any damage is visible (such as dents, cracks or deformation), replace the damaged component.
- ② Conduct self-diagnosis using CONSULT or "AIR BAG" warning lamp to ensure entire SRS operates properly.

SRS inspection

Part	Air bag deployed	Air bag did NOT deploy
Air bag module (driver and passenger side)	REPLACE Install with new bolts.	1. Remove air bag module. Check harness cover and connectors for damage, terminals for deformities, and harness for binding. 2. Install air bag module into the steering wheel to check fit and alignment with the wheel. 3. No damage found, reinstall with new bolts. 4. If damaged — REPLACE. Air bag must be deployed before discarding.
Instrument panel	REPLACE Install with new bolts.	1. Check instrument panel for bending, deformities, or cracks. 2. If no damage is found, reinstall with new bolts. 3. If damaged — REPLACE.
Diagnosis sensor unit	REPLACE Install with new bolts.	1. Check case and bracket for dents, cracks or deformities. 2. Check connectors for damage, and terminals for deformities. 3. If no damage is found, reinstall with new bolts. 4. If damaged — REPLACE.
Steering wheel	1. Check harness (built into steering wheel) and connectors for damage, and terminals for deformities. 2. Install air bag module to check fit or alignment with steering wheel. 3. Check steering wheel for excessive free play. 4. If no damage is found, reinstall with new bolts. 5. If damaged — REPLACE.	
Spiral cable	1. Visually check lock (engagement) pins and combination switch for damage. 2. Check connectors, flat cable and protective tape for damage. 3. Check steering wheel for noise, binding or heavy operation. 4. If no damage is found, reinstall with new bolts. 5. If damaged — REPLACE.	
Harness and Connectors	1. Check connectors for poor connection, damage, and terminals for deformities. 2. Check harness for binding, chafing, cuts, or deformities. 3. If no damage is found, reinstall 4. Damaged — REPLACE damaged section of harness. Do not attempt to repair, splice or modify any SRS harness.	